

Window Handles & Fasteners

Titon has been in the business of designing and manufacturing window handles and fasteners for over thirty years. The bulk of these ranges have always been in-house product, which is reflected in the technical knowledge offered to the customer.

There are thousands of examples of Titon window handles still functioning thirty years later, many have also outlasted the life of the window to which they were fitted.

This current range of handles is aimed at the discerning window manufacturer, with a host of variations to suit any PVCu or timber profile.

The Overture range of window handles are designed to suite with the Overture range door handles and door furniture

The Select range is the only window handle to be designed to suite with a trickle ventilator range. As both handle and ventilator are the hardware components that the occupant will always see on their windows, Titon have felt it is common sense they should be aesthetically matched.





Window Handles & Fasteners

Overture E	48
Select Standard	50
Select Compact	52
Select Cockspur	54
Select Casement Stay	56
Derwent	58
Alliance Cam Catch	60



Overture E

Espagnolette handle

For use on PVCu or timber windows

Overture espagnolette handles are part of Titon's Overture suite of window and door hardware. A stylish new range designed by Titon to provide specifiers with a collection of window handles, door

handles, letter plates and more. The Overture E is ergonomically designed to include a solid and sculptured grip, and is available in straight or handed versions, in a variety of finishes.



Right hand - satin chrome - on timber



Straight - white - on PVCu

Features and Benefits

- Suitable for timber or PVCu windows
- Ergonomic design; solid and sculptured grip
- Tested to DD CEN/TS13126-3
- Straight or handed versions
- Non-locking and fire escape retrofit options
- 90 degree lock movement for easy recognition
- Double entry key
- Push-in screw covers
- Supplied bagged with machine screws
- 30mm or 40mm x 7mm spindle lengths as standard



Details

Product	Product Code
Overture E right hand locking 30mm spindle	Phone for details
Overture E left hand locking 30mm spindle	Phone for details
Overture E right hand locking 40mm spindle	Phone for details
Overture E left hand locking 40mm spindle	Phone for details
Overture E straight locking 30mm spindle	Phone for details
Overture E straight locking 40mm spindle	Phone for details
Codes relate to single items, handles usually supplied in box quantities of 50.	
Non locking plug black (x 100)	Phone for details
Non locking fire escape plug green (x 100)	Phone for details
Please visit www.titon.co.uk to obtain the relevant product code(s). Alternatively call 01206 713801 to discuss your requirements.	

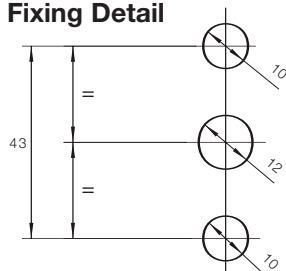
Manufactured from

Zinc Alloy to BS EN 1774 ZL3

Recommended screws

M5 Machine Screws

Handle Fixing Detail



Standards

Tested in accordance with DD CEN/TS 13126-3

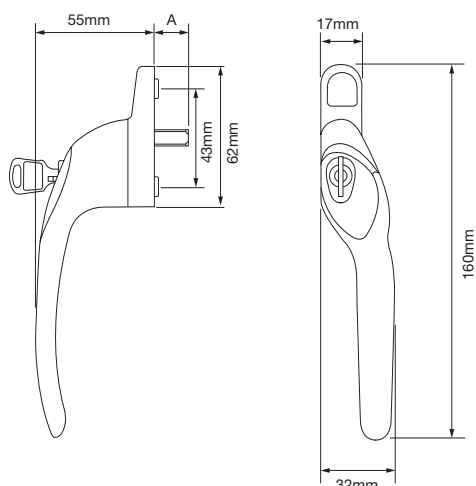
Finishes

White	Polished chrome
Satin chrome	Brown
PVD gold	Black

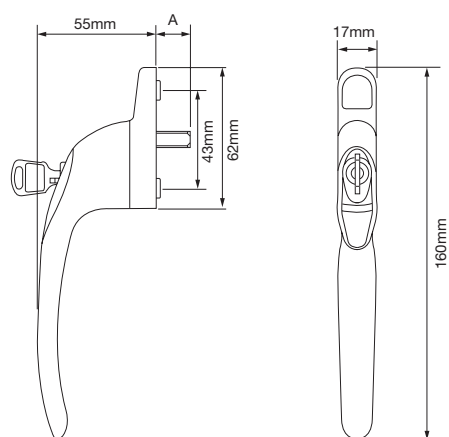
More information

enquiries@titon.co.uk / 01206 713801

Right hand handle



Straight handle



Select Standard Espagnolette handle

For use on PVCu or timber windows

Select Standard is a locking espagnolette window handle for timber or PVCu windows. Select Standard features a strong ergonomic grip and is ideal for larger

sashes. The handle is available in straight or handed versions and is available in a variety of plated or painted finishes.



Right hand - bright nickel



Straight - white paint

Features & Benefits

- Suitable for timber or PVCu windows
- Available in straight or handed versions
- Locking, non-locking or fire escape versions
- Smooth handle action and streamlined design
- Ideal for larger sashes, fully reversible or pivot windows
- Ergonomic grip for ease of operation in limited access environments
- Non standard spindle sizes available on request
- Registered design
- Patented



Details

Product	Product Code
Select Standard Espagnolette right hand handle - locking, 7 x 30mm spindle	TF1430RH7
Select Standard Espagnolette left hand handle - locking, 7 x 30mm spindle	TF1430LH7
Select Standard Espagnolette straight hand handle - locking, 7 x 30mm spindle	TF1430NH7
Select Standard Espagnolette right hand handle - non locking, 7 x 30mm spindle	TF1430RH7DM
Select Standard Espagnolette left hand handle - non locking, 7 x 30mm spindle	TF1430LH7DM
Select Standard Espagnolette straight hand handle - non locking, 7 x 30mm spindle	TF1430NH7DM
Select Standard Espagnolette right hand handle - fire escape, 7 x 30mm spindle	TF1430RH7FE
Select Standard Espagnolette left hand handle - fire escape, 7 x 30mm spindle	TF1430LH7FE
Select Standard Espagnolette straight hand handle - fire escape, 7 x 30mm spindle	TF1430NH7FE

Non standard spindle sizes available on request.

Manufactured from

Zinc Alloy to BS EN 1774 ZL3.

Recommended screws

M5 Machine Screws

Standards

Tested in accordance with DD CEN/TS 13126-3:2004.

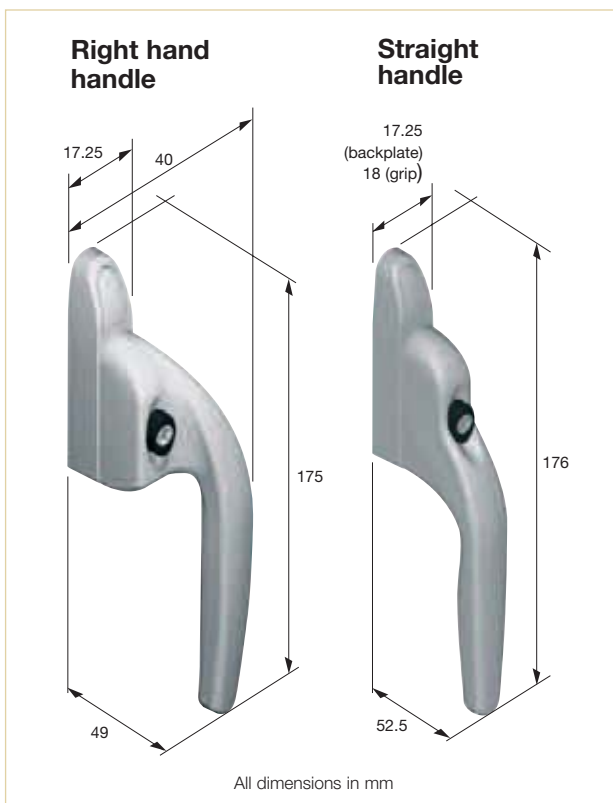
Finishes

Suffix product code with:
 -020 (white paint), -357 (silver paint), -023 (brown paint),
 -235 (gold paint), -825 (satalyte chrome), -818 (bright
 nickel), -102 (albrafin gold)

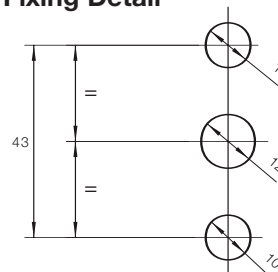
NOTE: Plated finishes are not suitable for use in coastal
 or highly corrosive environments.

More information

enquiries@titon.co.uk / 01206 713801



Handle Fixing Detail



Locking

Non-locking

Fire escape - green
button

Select Compact

Low height espagnolette handle

For use on PVCu or timber windows

Select Compact is a locking espagnolette window handle for timber or PVCu windows. Select Compact features a compact design

that has a very low 28mm stack height for ease of window transit and is available in a variety of plated or painted finishes.



Right hand - brown paint



Right hand - gold paint

Features and Benefits

- Suitable for timber or PVCu windows
- 28mm handle stack height for ease of window transit
- Unique compact design
- Locking, non-locking or fire escape versions
- Smooth handle action and streamlined design
- Non standard spindle sizes available on request
- Registered design
- Patented



Details

Product	Product Code
Select Compact Espagnolette right hand handle - locking, 7 x 30mm spindle	TF1330RH7
Select Compact Espagnolette left hand handle - locking, 7 x 30mm spindle	TF1330LH7
Select Compact Espagnolette right hand handle - non locking, 7 x 30mm spindle	TF1330RH7DM
Select Compact Espagnolette left hand handle - non locking, 7 x 30mm spindle	TF1330LH7DM
Select Compact Espagnolette right hand handle - fire escape, 7 x 30mm spindle	TF1330RH7FE
Select Compact Espagnolette left hand handle - fire escape, 7 x 30mm spindle	TF1330LH7FE

Non standard spindle sizes available on request.

Manufactured from

Zinc Alloy to BS EN 1774 ZL3

Recommended screws

M5 Machine Screws



Standards

Tested in accordance with DD CEN/TS 13126-3:2004.

Finishes

Suffix product code with:

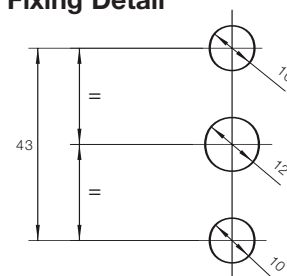
- 020 (white paint), -357 (silver paint), -023 (brown paint),
- 235 (gold paint), -825 (satalyte chrome),
- 818 (bright nickel), -102 (albrafin gold)

NOTE: Plated finishes are not suitable for use in coastal or highly corrosive environments

More information

enquiries@titon.co.uk / 01206 713801

Handle Fixing Detail



Locking

Non-locking

Fire escape - green button

Select Cockspur

Cockspur handle

For use on timber windows

Select Cockspur is a locking window handle for timber windows that is available with a suited casement stay. Select Cockspur features a compact design that has a very low 28mm

stack height for ease of window transit and is available in a variety of plated or painted finishes and the option of plastic or metal keeps.



Select Cockspur



Keep lead-in



Open

Features and Benefits

- **Specifically designed for timber windows**
- **Minimal projection for ease of window stacking**
- **Unique lead-in on handle nose**
- **Section related non-handed narrow wedge**
- **Handle incorporates sash lift**
- **Locking, non-locking or Fire Escape versions**
- **Metal keep option for added security**
- **Handle uses same lock and key as Select Casement Stay**



Details

Product	Product Code
Select Cockspur right hand handle - locking	TF1200
Select Cockspur left hand handle - locking	TF1201
Select Cockspur right hand handle - non locking	TF1200DM
Select Cockspur left hand handle - non locking	TF1201DM
Select Cockspur right hand handle - fire escape	TF1200FE
Select Cockspur left hand handle - fire escape	TF1201FE
Metal flat keep	TF1263
Metal bevelled keep	TF1264
Plastic flat keep	TF1243
Plastic bevelled keep	TF1244

Manufactured from

Zinc Alloy to BS EN 1774 ZL3, Plastic keep – PA6, Component Parts – POM, PA6

Recommended screws

4mm (No.8) Countersunk Head

Standards

Tested in accordance with DD CEN/TS 13126-2:2004

Finishes

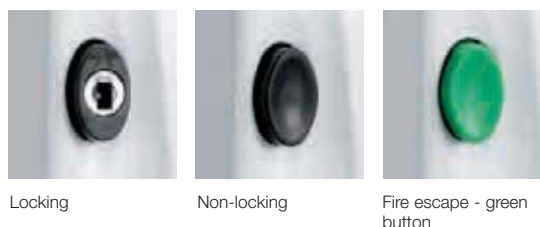
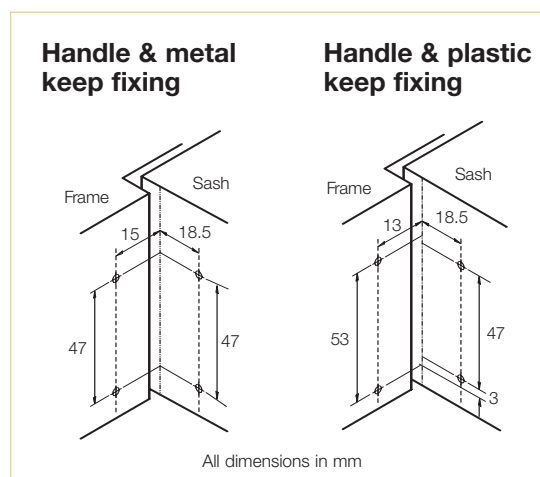
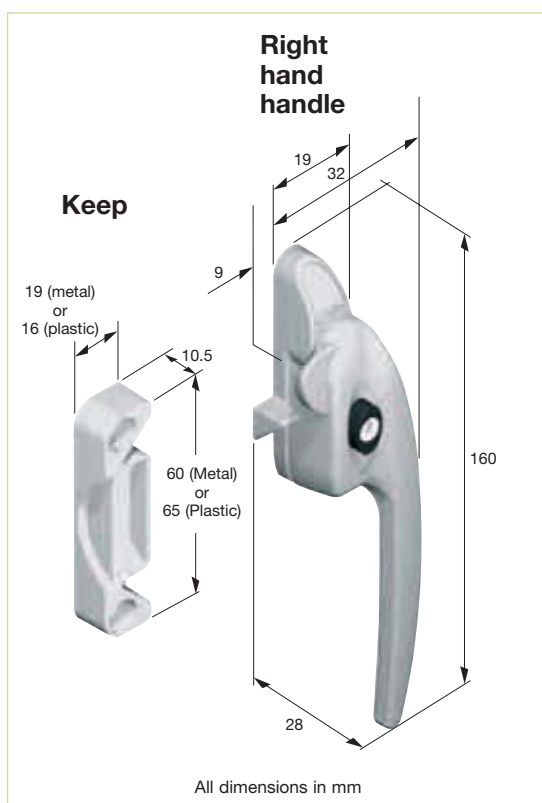
Suffix product code with:
 -020 (white paint), -357 (silver paint), -023 (brown paint),
 -235 (gold paint), -825 (satalyte chrome), -818 (bright nickel), -102 (albrafin gold)

Plastic keep: -012 (black), -315 (brown), -392 (white), 351 (gold)

NOTE: Plated finishes are not suitable for use in coastal or highly corrosive environments

More information

enquiries@titon.co.uk / 01206 713801



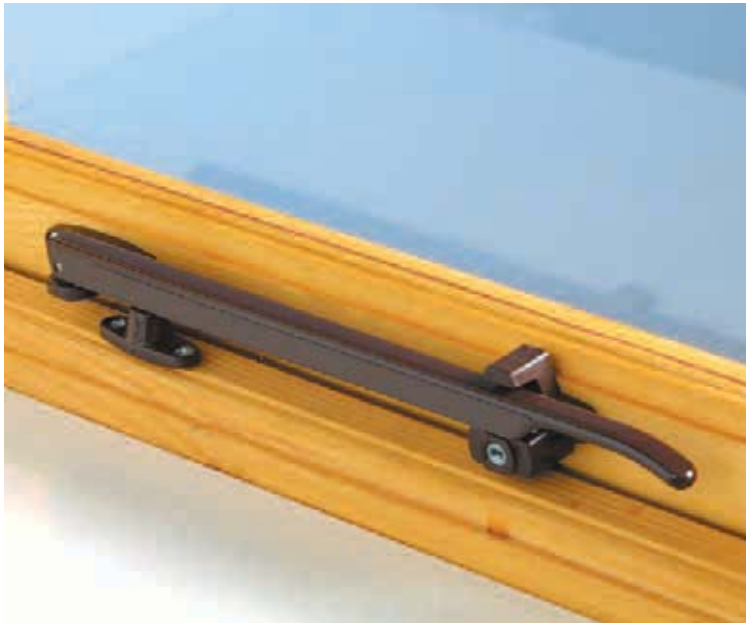
Select Casement Stay

Casement stay

For use on timber windows

Select Casement Stay is a locking casement stay for timber windows that is available with a suited cockspur handle. Select Casement

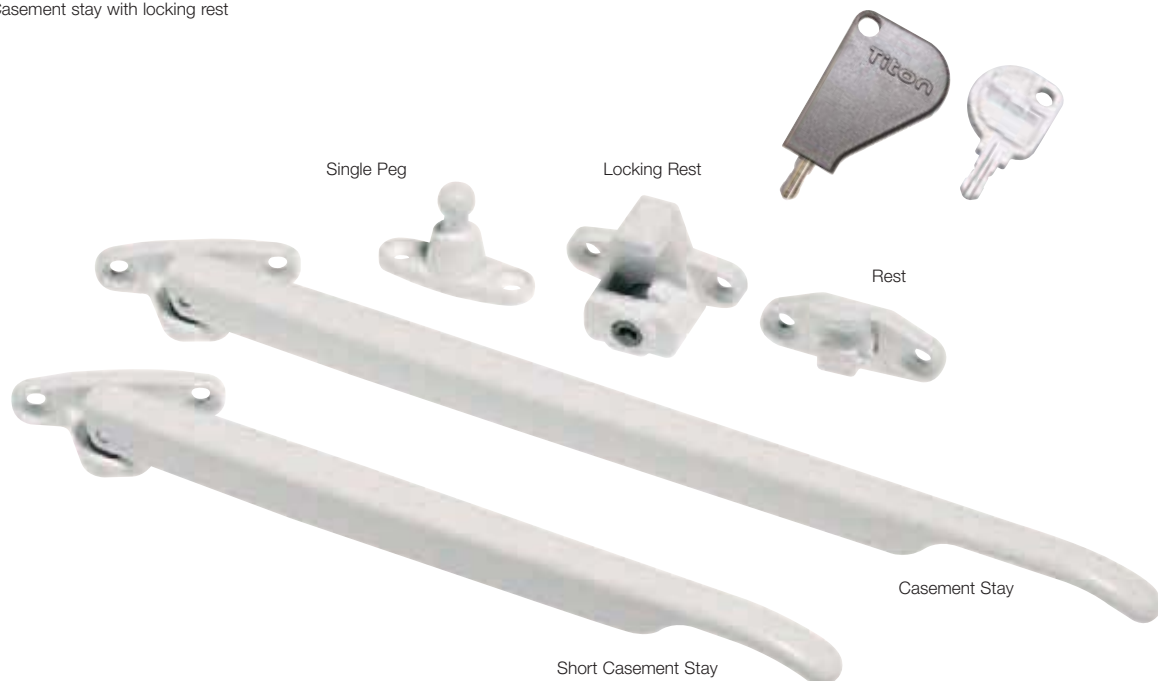
Stay features a compact design and comes with a variety of accessories including pegs and rests.



Casement stay with locking rest

Features and Benefits

- **Specifically designed for timber windows**
- **Minimal projection for ease of window stacking**
- **Non-handed**
- **Locking or non-locking versions**
- **Integral stay clip**
- **Stay uses same lock and key as Select Cockspur handle**



Details

Product	Product Code
Casement Stay	TR51
Short Casement Stay	TR61
Locking Rest	TR202
Rest	TR53
Single Peg	TR54

Manufactured from

Zinc Alloy to BS EN 1774 ZL3,
Component Parts – POM, PA6

Recommended screws

4mm (No.8) Countersunk Head

Standards

Tested in accordance with DD CEN/TS 13126-3:2004

Finishes

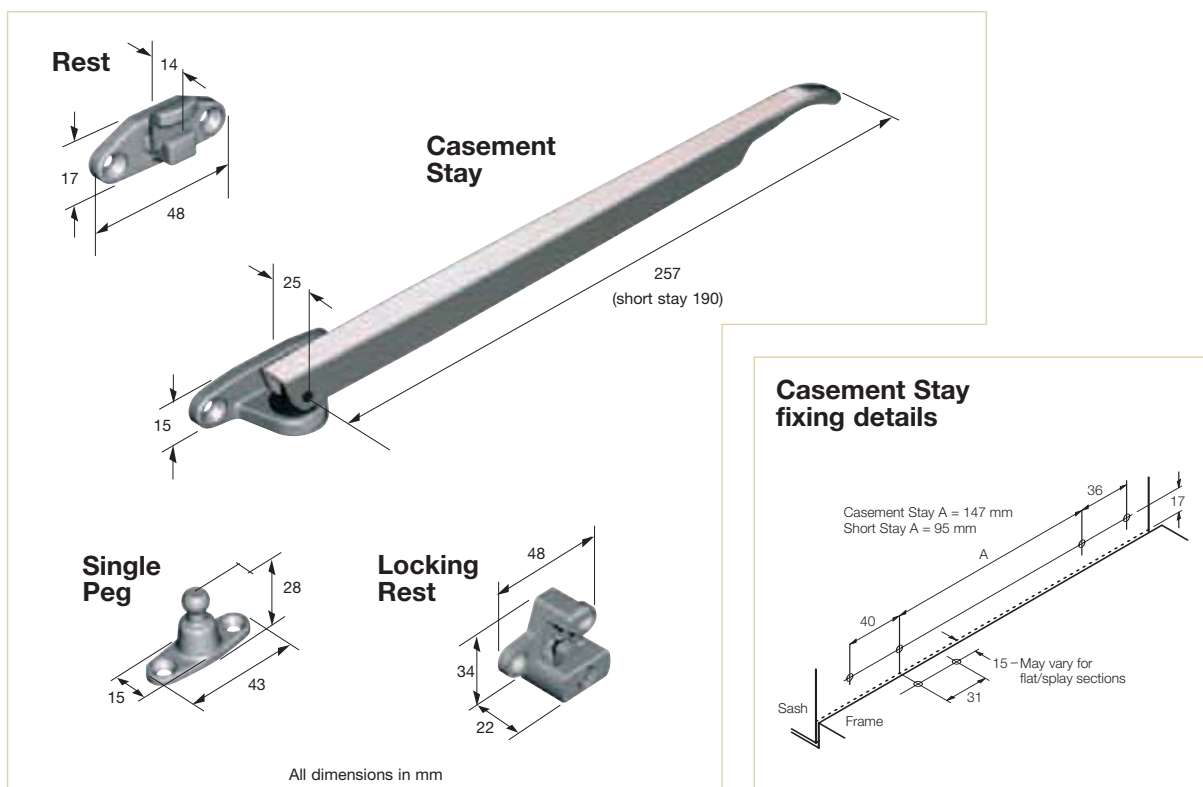
Suffix product code with:

-020 (white paint), -357 (silver paint), -023 (brown paint),
-235 (gold paint), -825 (satellite chrome),
-818 (bright nickel), -102 (albrafin gold)

NOTE: Plated finishes are not suitable for use in coastal
or highly corrosive environments

More information

enquiries@titon.co.uk / 01206 713801



Derwent

Cockspur or espagnolette handle

For use on PVCu, timber or aluminium windows

Derwent is a substantial locking window handle with options of cockspur, espagnolette or a combination of both. Derwent is

suitable for aluminium, PVCu or timber windows and is available in a variety of plated or painted finishes.



Right hand - brown paint



Right hand - silver paint



Features and Benefits

- **Substantial handed grip**
- **Particularly suitable for use by the elderly**
- **Cockspur available in short or long nose versions**
- **Espagnolette available with or without nose**
- **Fire escape version available**
- **Supplied with key and screw covers**
- **Large key and key guide can be supplied to aid users with limited dexterity**
- **Non standard spindle sizes available on request**

Details

Product	Product Code
Derwent Cockspar right hand locking handle - short nose	TF500SN
Derwent Cockspar left hand locking handle - short nose	TF501SN
Derwent Cockspar right hand locking handle - long nose	TF500LN
Derwent Cockspar left hand locking handle - long nose	TF501LN
(Suffix code with 'F' for Fire Escape version)	
Double lead-in keep	TF203
Flat night vent keep	TF205
Bevelled night vent keep	TF246
Derwent Espagnolette right hand locking - No Nose 7 x 30mm spindle	TF530R7
Derwent Espagnolette left hand locking - No Nose 7 x 30mm spindle	TF530L7
Derwent Espagnolette right hand locking - With Nose 7 x 30mm spindle	TF630R7
Derwent Espagnolette left hand locking - With Nose 7 x 30mm spindle	TF630L7
(Suffix code with 'F' for Fire Escape version)	
Large key	XF20201LK
Key guide for right hand handle	TF247R
Key guide for left hand handle	TF247L

Manufactured from

Zinc Alloy to BS EN 1774 ZL3, Keep – POM

Recommended screws

M5 Machine Screws or 4mm (No.8) Countersunk Head

Standards

Tested in accordance with DD CEN/TS 13126-3:2004 and DD CEN/TS 13126-2:2004

Finishes

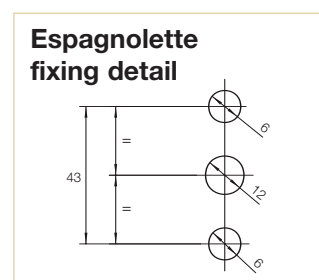
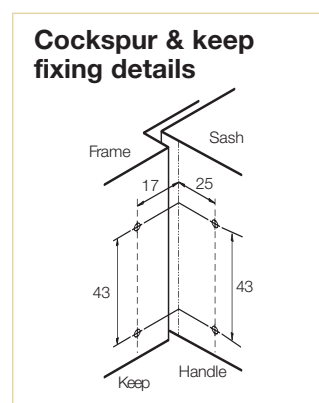
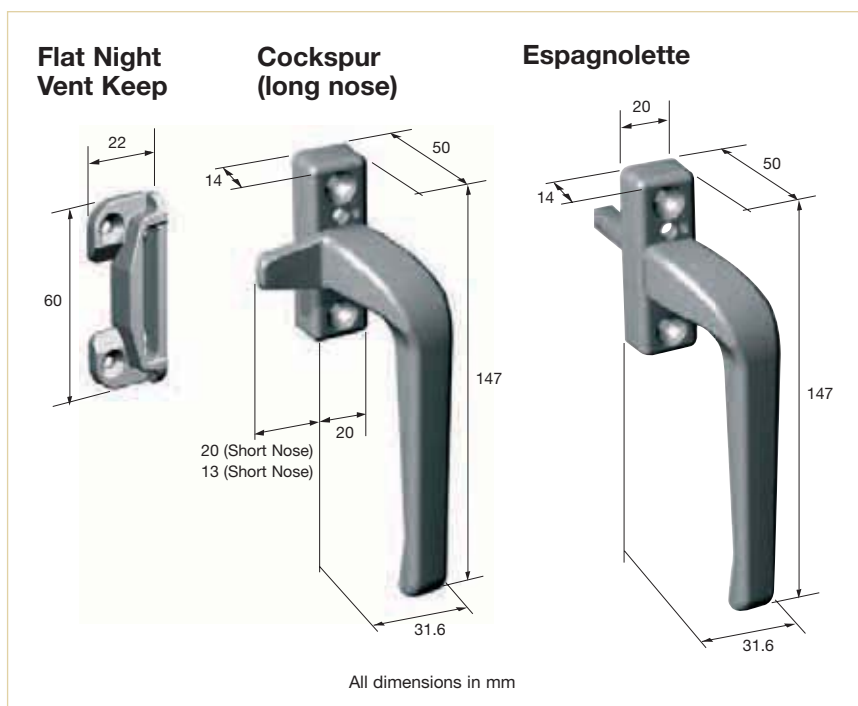
Suffix product code with:

- 020 (white paint), -357 (silver paint), -023 (brown paint),
- 235 (gold paint), -818 (bright nickel),
- 102 (albrafin gold)

NOTE: Plated finishes are not suitable for use in coastal or highly corrosive environments

More information

enquiries@titon.co.uk / 01206 713801



Alliance Cam Catch

Cam Catch

For use on PVCu or timber windows

Alliance is a security cam catch capable of achieving BS7950 (dependent on window design), with a front facing lock. Alliance is suitable for all vertical sliding

windows made from PVCu or timber and has various flat and cast keep designs suitable for all profiles. Available in a variety of plated or painted finishes.



Alliance with Cast Keep

Features and Benefits

- **Locking or non locking versions**
- **Front facing lock**
- **Spring loaded to ensure sash clearance**
- **Various keep designs available**
- **Capable of achieving BS7950 (dependent on window design)**
- **Interlocking design for increased security**
- **Available in painted or plated finishes**



Flat Keep



Cast Keep



Cam Catch - white paint

Details

Product	Product Code
Alliance Cam Catch - non-locking	TL100DM
Alliance Cam Catch - key locking	TL100
Standard cast keep	TL120
Wide cast keep	TL121
17mm pressed steel keep	TL122
30.5mm pressed steel keep	TL124
38mm pressed steel keep	TL125

Manufactured from

Zinc Alloy to BS EN 1774 ZL3

Recommended screws

4mm (No.8) Countersunk Head or equivalent

Standards

Tested in accordance with DD CEN/TS 13126-14:2004

Finishes

Suffix product code with:

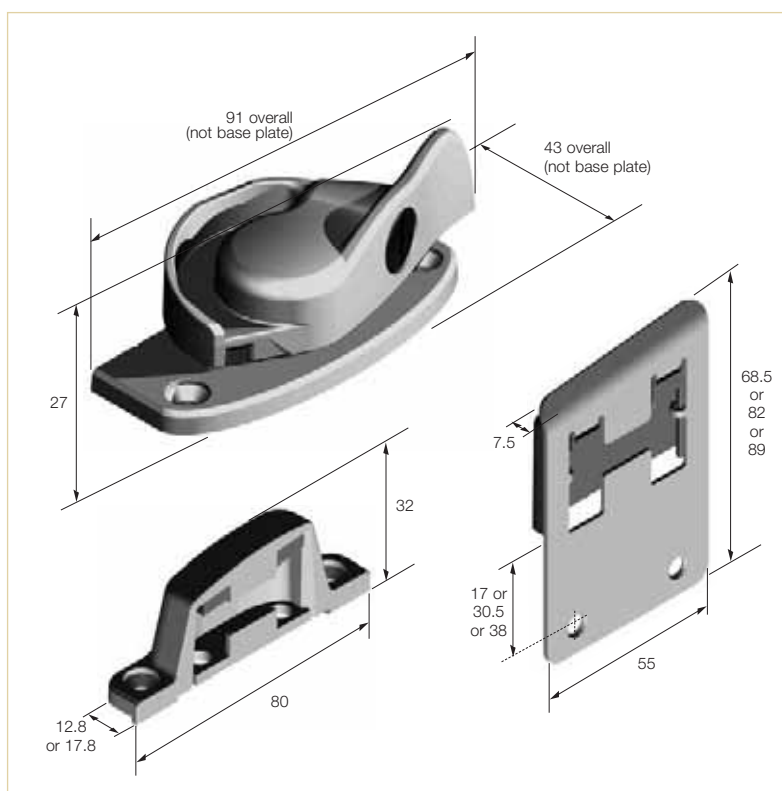
-020 (white paint), -818 (bright nickel), -102 (albrafin gold), -023 (brown paint), -825 (satin chrome)

NOTE: Plated finishes are not suitable for use in coastal or highly corrosive environments

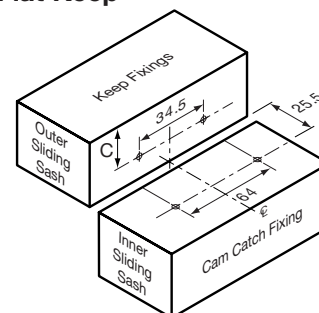
More information

enquiries@titon.co.uk / 01206 713801

Cast Keep			Pressed Metal Keeps	
Product	A'	B'	Product	C'
Standard cast keep	4.5	30	17mm pressed steel keep	17
Wide cast keep	9.5	35	30.5mm pressed steel keep	30.5
			38mm pressed steel keep	38



Flat Keep



Cast Keep

