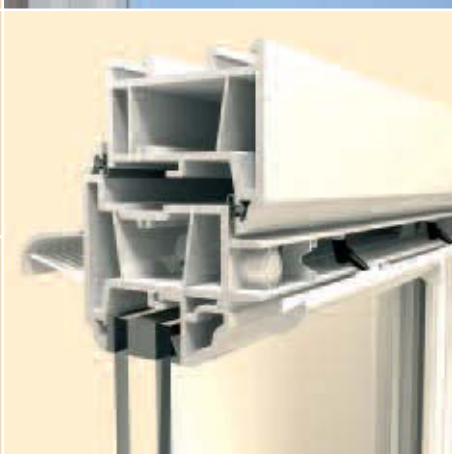


Ventilators



Ventilators

Trimvent Select S13	16
Trimvent Select Xtra S13	18
Trimvent Select Xtra S16	20
Trimvent Select Xtra R16	22
Trimvent 90 Hi Lift	24
Trimvent 4000 Hi Lift	26
Trimvent Select E18	28
Trimvent SM	30
SF Ventilator	32
Gas Regulations Ventilator	34
Maxiglaze	36
Variglaze	38
Sobinco Silentbloc	40
Vent-Trex	42
Other Ventilators	44

SF Sound Attenuating Vent available mid 2011.
 Go to www.titon.co.uk/acoustics for more information.

Trimvent® Select S13

Surface mounted slot ventilator



Trimvent® Select S13 Ventilator

Trimvent® Select C13 Canopy

For use on PVCu, timber or aluminium windows

Trimvent Select S13 is a surface mounted plastic slot ventilator that fits over a 13mm slot in a window and provides an Equivalent Area (EA) of 1700mm² or 2700mm² and can be fitted with an XC13 canopy or GS13 grille.

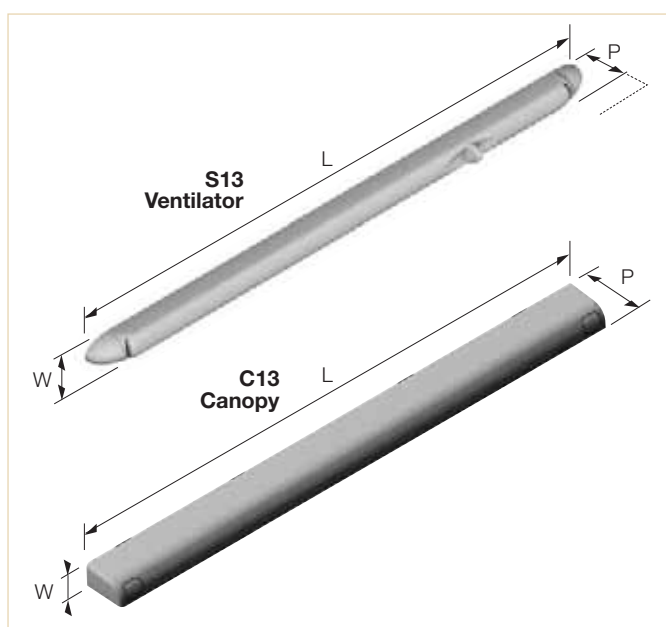
The S13 is ideal for refurbishment

situations using any window material and is available in a variety of colours.

Trimvent Select ventilators have been specified and fitted on millions of windows throughout the UK and mainland Europe over the last fifteen years.

Features and Benefits

- Deflects air up or down, or both
- Screw fix or clip fix versions (GS13 clip fix only)
- Unique occupant controllable tilting T-bar
- Rounded unobtrusive shape
- Can be fitted on the sash, frame or overhead section
- For use over 13mm slot
- Based on successful Trimvent® principle
- Sculpted finger recess
- Matching screw covers
- Patented and registered design
- Available in vent and canopy packs
- Remote control vent available
- Sleeve available for hollow profiles
- When specified correctly complies with Building Regulations



Details

Product	Product Code	(L) Length	(W) Width	(P) Projection Closed-Open	EA (mm ²)	Free Area (mm ²)	Slot Detail
S13 1700EA vent screw fix	TS1131750	265	18.5	20 - 26	1700	2212	
C13 267 canopy screw fix	TS2132020	267	17	24	1700	2351	
S13 1700EA vent & C13 canopy screw fix pack	TS4131720				1700	2212	
S13 1700EA vent clip fix	TS1131751	265	18.5	20 - 26	1700	2212	
C13 267 canopy clip fix	TS2132021	267	17	24	1700	2351	
S13 1700EA vent & C13 canopy clip fix Pack	TS4131721				1700	2212	
S13 1700EA remote control	TS6131750	265	18.5	32.5*	1700	2212	
S13 2700EA vent screw fix	TS1132750	411	18.5	20 - 26	2700	4045	
C13 412 canopy screw fix	TS2134020	412	17	24	2700	4278	
S13 2700EA vent & C13 canopy screw fix pack	TS4132720				2700	4045	
S13 2700EA vent clip fix	TS1132751	411	18.5	20 - 26	2700	4045	
C13 412 canopy clip fix	TS2134021	412	17	24	2700	4278	
S13 2700EA vent & C13 canopy clip fix pack	TS4132721				2700	4045	
GS13 4000 grille (2 of)	TS3134050	192	17	14	2700	4143	
S13 2700EA remote control	TS6132750	411	18.5	32.5*	2700	4045	

EA figures above and marked on vents are achieved when fitted to manufacturer's recommendations. Tested in accordance with BS:EN 13141-1 (2004). *Projection of corner block and pulley. See Titon fixing instructions for full details.

Manufactured from

PBTP (UV Stable) & POM, Canopy - PVCu

Recommended screws

C13 - 3.5mm (No.6) Pan Head or equivalent
S13 - No.7 or No.8 countersunk heads

Standards

Tested in accordance with BS EN 13141-1:2004 (air flow, air leakage and weather tightness)

Acoustic performance tested in accordance with BS EN ISO20140-10:1992, BS EN ISO140-10:1991 and single figures to BS EN ISO717-1:1991



Through sash

Performance

(Full test details available on request)
Equivalent Area - see above
Free Area - see above
Air Leakage (m³/hr @ 50Pa)
1700EA version (screw fix) – 1.61
2700EA version (screw fix) – 2.61
Water Resistance (Pa) – 1700EA and 2400EA - 600 Pa
Acoustic D_{n,e,w} (+/-) 2700EA version - vent open 33 (-1;0), vent closed 45 (-1,-2)

Finishes

Suffix product code with:
-392 (white), -315 (brown), -496 (bright white), -662 (toffee)

More information

enquiries@titon.co.uk / 01206 713801

Trimvent® Select Xtra S13

Surface mounted slot ventilator



Trimvent® Select Xtra S13 Ventilator

Trimvent® Select Xtra XC13 Canopy

For use on PVCu, timber or aluminium windows

Trimvent Select Xtra S13 is a surface mounted plastic slot ventilator that fits over a 13mm slot in a window and provides an Equivalent Area (EA) of 4400mm² or 5000mm² and can be fitted with an XC13 canopy or GS22 grille.

The XS13 is ideal for both new build and refurbishment situations using any window material and is available in a variety of colours.

The Xtra design improves the Trimvent Select range to offer increased ventilation giving optimum airflow (and therefore Equivalent

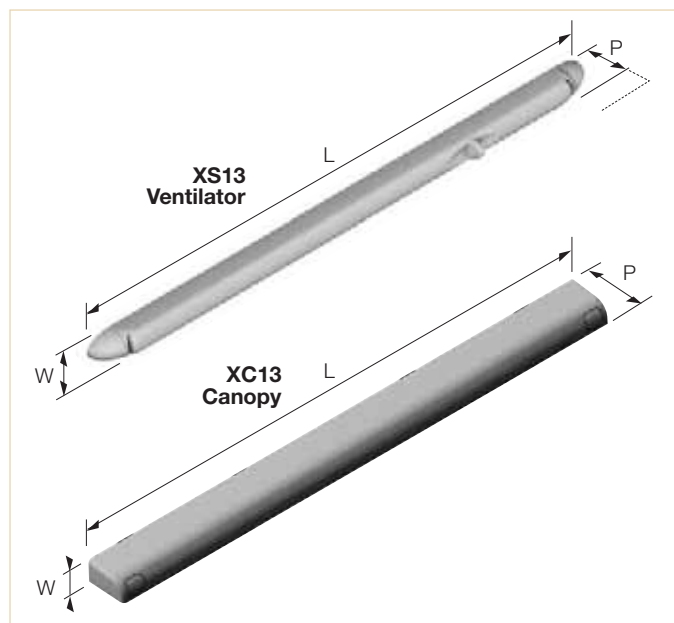
Area) utilising existing Trimvent Select slot sizes and vent lengths, meaning they are 60% more efficient than previous models.

Specifically developed for recent revisions to Part F of the Building Regulations, Ventilation (England & Wales), and to improve performance for requirements throughout the UK and Europe.

Trimvent Select ventilators have been specified and fitted on millions of windows throughout the UK and mainland Europe over the last fifteen years.

Features and Benefits

- Revised design to improve performance and Regulations compliance
- Unique occupant controllable tilting T-bar
- Rounded unobtrusive shape
- Can be fitted on the sash, frame or overhead section
- For use over 13mm slot
- Based on successful Trimvent® principle
- Sculpted finger recess
- Matching screw covers
- Patented and registered design
- Available in vent and canopy packs
- Remote control vent available
- Sleeve available for hollow profiles
- When specified correctly complies with Building Regulations



Details

Product	Product Code	(L) Length	(W) Width	(P) Projection Closed-Open	EA (mm ²)	Free Area (mm ²)	Slot Detail
XS13 4400EA vent screw fix	TS1134470	411	18.5 - 30	20 - 27	4400	4285	
XC13 412 canopy screw fix	TS2134040	411	18	32.5	4400	5027	
XS13 & XC13 4400EA screw fix pack	TS4134470						
XS13 4000EA vent clip fix	TS1134071	411	18.5 - 30	20 - 27	4000	4149	
XC13 412 canopy clip fix	TS2134041	411	18	32.5	4000	4809	
XS13 & XC13 4000EA clip fix pack	TS4134071						
XS13 5000EA vent screw fix	TS1135070	497	18.5 - 30	20 - 27	5000	5230	
XC13 497 canopy screw fix	TS2135040	497	18	32.5	5000	6258	
XS13 & XC13 5000EA screw fix pack	TS4135070						
XS13 5000EA vent clip fix	TS1135071	497	18.5 - 30	20 - 27	5000	5096	
XC13 497 canopy clip fix	TS2135041	497	18	32.5	5000	6055	
XS13 & XC13 5000EA clip fix pack	TS4135071						
GS22 241 pair grilles*	TS3224050	241 x 2	27	1.5	5000	10022	 grilles only
Sleeve	Please phone for details				Please phone for details		

EA figures above and marked on vents are achieved when fitted to manufacturer's recommendations. Tested in accordance with BS:EN 13141-1 (2004). *Typically used for overhead sections.

Manufactured from

PBTP (UV Stable) & POM, Canopy - PVCu

Recommended screws

3.5mm (No.6) Pan Head or equivalent

Standards

Tested in accordance with BS EN 13141-1:2004 (air flow, air leakage and weather tightness)

Acoustic performance tested in accordance with BS EN ISO20140-10:1992, BS EN ISO140-10:1991 and single figures to BS EN ISO717-1:1991



Through sash

Performance

(Full test details available on request)

Equivalent Area - see above

Free Area - see above

Air Leakage (m³/hr @ 50Pa) - screw fix - 2.42, clip fix - 7.29. 5000 version screw fix - 4.57, clip fix - 5.69

Water Resistance (Pa) - 4400EA version - 600Pa
5000EA version - 450Pa

Acoustic D_{n,e,w} (+/-) - 4400EA version - vent open 32 (0;1), vent closed 41 (0;-1), 5000EA version - vent open 32 (-1;0), vent closed 35 (0;0)

Finishes

Suffix product code with:

-392 (white), -315 (brown), -496 (bright white), -662 (toffee)

More information

enquiries@titon.co.uk / 01206 713801

Trimvent® Select Xtra S16

Surface mounted slot ventilator



Trimvent® Select Xtra S16 Ventilator

Trimvent® Select Xtra C16 Canopy

For use on PVCu or timber windows

Trimvent Select Xtra S16 is a surface mounted plastic slot ventilator that fits over a 16mm slot in a window and provides an Equivalent Area (EA) of 4600mm² when fitted with the XC16 canopy.

The XS16 is ideal for both new build or refurbishment situations using any window material and is available in a variety of colours.

The Xtra design improves the Trimvent Select range to offer increased ventilation giving optimum airflow (and therefore Equivalent Area) utilising existing Trimvent

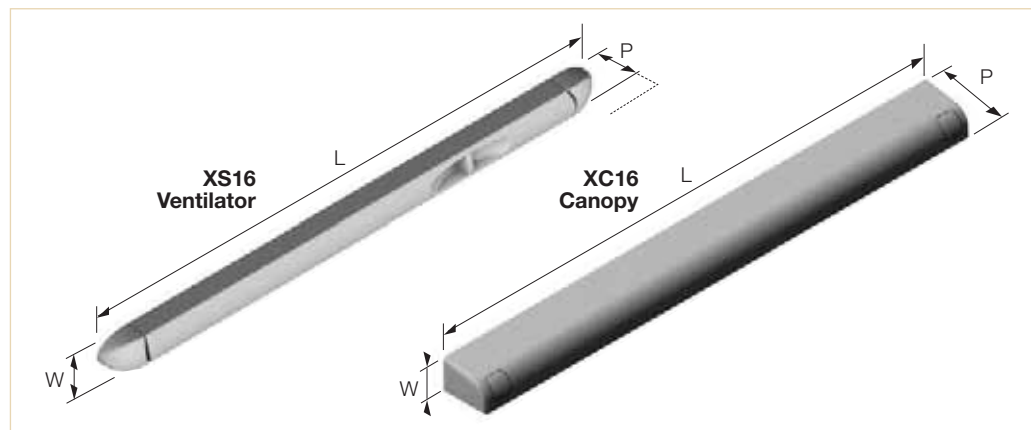
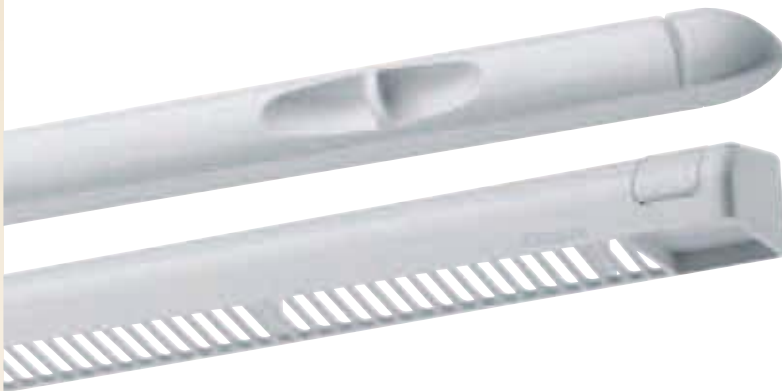
Select slot sizes and vent lengths, meaning they are 60% more efficient than previous models.

Specifically developed for recent revisions to Part F of the Building Regulations, Ventilation (England & Wales), and to improve performance for requirements throughout the UK and Europe.

Trimvent Select ventilators have been specified and fitted on millions of windows throughout the UK and mainland Europe over the last fifteen years.

Features and Benefits

- Revised design to improve performance and Regulations compliance
- Unique occupant controllable tilting T-bar
- Rounded unobtrusive shape
- For use over 16mm slot
- Based on successful Trimvent® principle
- Sculpted finger recess
- Matching screw covers
- Patented and registered design
- Available in vent and canopy pre packs
- Sleeve available for hollow profiles
- When specified correctly complies with Building Regulations



Details

Product	Product Code	(L) Length	(W) Width	(P) Projection Closed-Open	EA (mm ²)	Free Area (mm ²)	Slot Detail
XS16 4600EA vent	TS1164670	366	21 - 31	16 - 28	4600	4511	
XC16 364 canopy	TS2164040	364	22	32.5		4990	151 10 151 16
XS16 & XC16 4600EA pack	TS4164670						
Sleeve	Please phone for details						Please phone for details

EA figures above and marked on vents are achieved when fitted to manufacturer's recommendations. Tested in accordance with BS:EN 13141-1 (2004).

Manufactured from

PBTP (UV Stable) & POM, Canopy - PVCu

Recommended screws

3.5mm (No.6) Pan Head or equivalent

Standards

Tested in accordance with BS EN 13141-1:2004 (air flow, air leakage and weather tightness)

Acoustic performance tested in accordance with BS EN ISO20140-10:1992, BS EN ISO140-10:1991 and single figures to BS EN ISO717-1:1991



Through head

Performance

(Full test details available on request)

Equivalent Area - See above

Free Area - See above

Air Leakage (m³/hr @ 50Pa) - 2.12

Water Resistance (Pa) - 600

Acoustic D_{n,e,w} (+/-) - vent open 31 (0;0),

vent closed 41 (-1;-2)

Finishes

Suffix product code with:

-392 (white), -315 (brown), -496 (bright white), -662 (toffee)

More information

enquiries@titon.co.uk / 01206 713801

Trimvent® Select Xtra R16

Recessed slot ventilator



Trimvent® Select Xtra R16 Ventilator

Trimvent® Select Xtra XHD16 Grille

For use on timber windows

Trimvent Select Xtra R16 is a fully recessed plastic slot ventilator that fits over a 16mm slot in a window and provides an Equivalent Area (EA) of 4600mm² when fitted with the XHD16 grille or XC16 canopy. The XR16 is ideal for both new build or refurbished situations using timber windows and is available in a variety of colours.

The Xtra design improves the Trimvent Select range to offer increased ventilation giving optimum airflow (and therefore Equivalent Area) utilising existing Trimvent

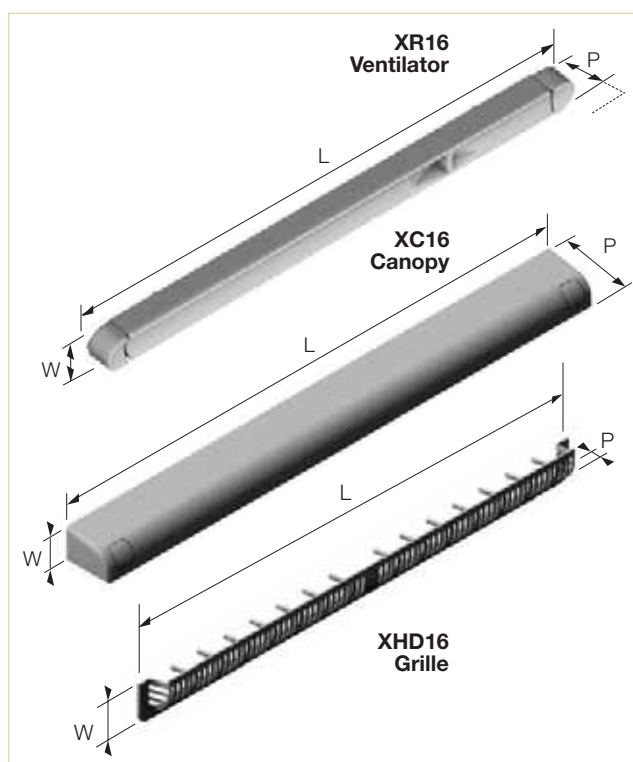
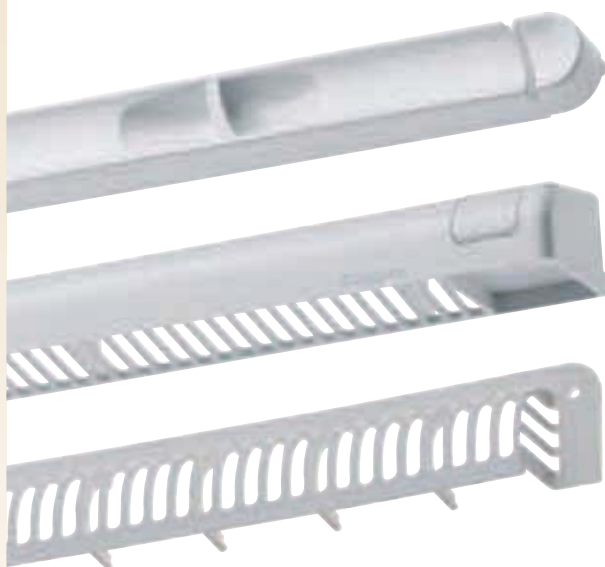
Select slot sizes and vent lengths, meaning they are 60% more efficient than previous models.

Specifically developed for recent revisions to Part F of the Building Regulations, Ventilation (England & Wales), and to improve performance for requirements throughout the UK and Europe.

Trimvent Select ventilators have been specified and fitted on millions of windows throughout the UK and mainland Europe over the last fifteen years.

Features and Benefits

- Revised design to improve performance and Regulations compliance
- Unique occupant controllable tilting T-bar
- No projection (when closed) for ease of window stacking
- Recesses over 16mm slot
- Based on successful Trimvent® principle
- Sculpted finger recess
- Matching screw covers
- Patented and registered design
- Supplied with paint protection adhesive cover
- When specified correctly complies with Building Regulations



Details

Product	Product Code	(L) Length	(W) Width	(P) Projection Closed-Open	EA (mm ²)	Free Area (mm ²)	Slot Detail
XR16 4600EA vent	TS1164630	351	21 - 32	0 - 18.5	4600	4530	151 10 151
XC16 364 canopy	TS2164040	364	22	32.5			16*
XR16 4600EA vent	TS1164630	351	21 - 32	0 - 18.5	4600	4530	151 10 151
XHD16 grille**	TS3164030	358	26	13.5			16*

* Slot detail should also include a 352 x 22 x 16 recess for the ventilator.

** Special preparation required for XHD16 Grille. See Titon Fixing Instructions for full details.

EA figures above and marked on vents are achieved when fitted to manufacturer's recommendations. Tested in accordance with BS:EN 13141-1 (2004).

Manufactured from

PBTP (UV Stable) & POM, XHD16 – PP, Canopy - PVCu

Recommended screws

3.5mm (No.6) Pan Head or equivalent

Standards

Tested in accordance with BS EN 13141-1:2004 (air flow, air leakage and weather tightness)

Acoustic performance tested in accordance with BS EN ISO20140-10:1992, BS EN ISO140-10:1991 and single figures to BS EN ISO717-1:1991

Performance

(Full test details available on request)

Equivalent Area – See above

Free Area – See above

Air Leakage (m³/hr @ 50Pa) – 6.04 (with XHD16),
2.43 (with XC16)

Water Resistance (Pa) – Vent & Canopy 600, Vent & Grille 300

Acoustic D_{n,e,w} (+/-) – vent open 31 (0;1),

vent closed 40 (-1;-1)

Finishes

Suffix product code with:

-392 (white), -315 (brown)

More information

enquiries@titon.co.uk / 01206 713801



Through Frame (with XC16)



Through Frame (with XHD16)

Trimvent® 90 Hi Lift

Aluminium slot ventilator



Trimvent® 90 Hi Lift Ventilator

Trimvent® 90 Hi Flow Canopy

For use on PVCu, timber or aluminium windows

Trimvent 90 Hi Lift is a semi-recessed aluminium slot ventilator that fits over a 16mm slot in a window and provides an Equivalent Area (EA) of up to 8600mm² when fitted with the Hi Flow canopy. The TV90 Hi Lift is ideal for both new build or refurbished situations using any window material and is available in a variety of colours.

The Hi Lift design improves the Trimvent range to offer increased ventilation giving optimum airflow (and therefore Equivalent Area) utilising existing Trimvent slot sizes

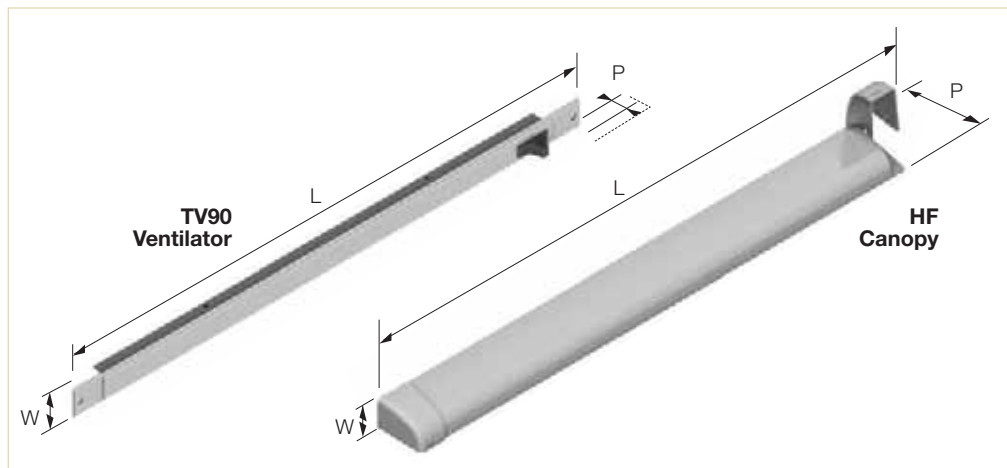
and vent lengths, meaning they are 60% more efficient than previous models.

Specifically developed for recent revisions to Part F of the Building Regulations, Ventilation (England & Wales), and to improve performance for requirements throughout the UK and Europe.

Trimvent 90 range of ventilators have been specified and fitted on millions of windows throughout the UK and mainland Europe over the last thirty-five years.

Features and Benefits

- Revised design to improve performance and Regulations compliance
- T-bar deflects air up and down
- Compression closing action
- For use on 16mm slot
- Based on successful Trimvent® principle
- Unique linkages ensure constant friction and smooth action
- Canopy features integral screw covers
- Special colours available on request
- Felted gasket for increased performance
- When specified correctly complies with Building Regulations



Details

Product	Product Code	(L) Length	(W) Width	(P) Projection Closed-Open	EA (mm ²)	Free Area (mm ²)	Slot Detail
TV90 HL 2500EA 300 vent	TA634	300	22	17 - 27	2500	2649	262
HF 303 canopy	TA6057	303	24	36.5			16
TV90 HL 4300EA 425 vent	TA631	425	22	17 - 27	4300	4184	387
HF 441 canopy	TA6054	441	24	36.5			16
TV90 HL 5000EA 525 vent	TA635	525	22	17 - 27	5000	5308	487
HF 529 canopy	TA6058	529	24	36.5			16
TV90 HL 8600EA 835 vent	TA633	835	22	17 - 27	8600	8368	395
HF 844 canopy	TA6056	844	24	36.5			7

EA figures above and marked on vents are achieved when fitted to manufacturer's recommendations. Tested in accordance with BS:EN 13141-1 (2004).

Manufactured from

Aluminium 6063 HIT T6, component parts PVCu, POM & PP (UV Stable)

Recommended screws

3.5mm (No.6) Round Head or equivalent

Standards

Tested in accordance with BS EN 13141-1:2004 (air flow, air leakage and weather tightness)

Acoustic performance tested in accordance with BS EN ISO20140-10:1992, BS EN ISO140-10:1991 and single figures to BS EN ISO717-1:1991

Performance

(Full test details available on request)

Equivalent Area – See above

Free Area – See above

Air Leakage (m³/hr @ 50Pa) – 1.09 (4300EA version)

Water Resistance (Pa) – 600

Acoustic D_{n,e,w} (+/-) – vent open 31 (0;1),

vent closed 42 (-1;-2)

Finishes

Suffix product code with:

-020 (white), -001 (SAA) (Canopy -026), -023 (brown)

More information

enquiries@titon.co.uk / 01206 713801



Through Sash

Trimvent® 4000 Hi Lift

Aluminium slot ventilator



Trimvent® 4000 Hi Lift Ventilator

Trimvent® 4000 Hi Flow Canopy

For use on PVCu, timber or aluminium windows

Trimvent 4000 Hi Lift is an aluminium slot ventilator that fits over a 13mm slot in a window and provides an Equivalent Area (EA) of up to 6000mm² when fitted with the Hi Flow canopy. The TV4000 Hi Lift is ideal for both new build or refurbished situations using any window material and is available in a variety of colours.

The Hi Lift design improves the Trimvent range to offer increased ventilation giving optimum airflow (and therefore Equivalent Area) utilising existing Trimvent slot

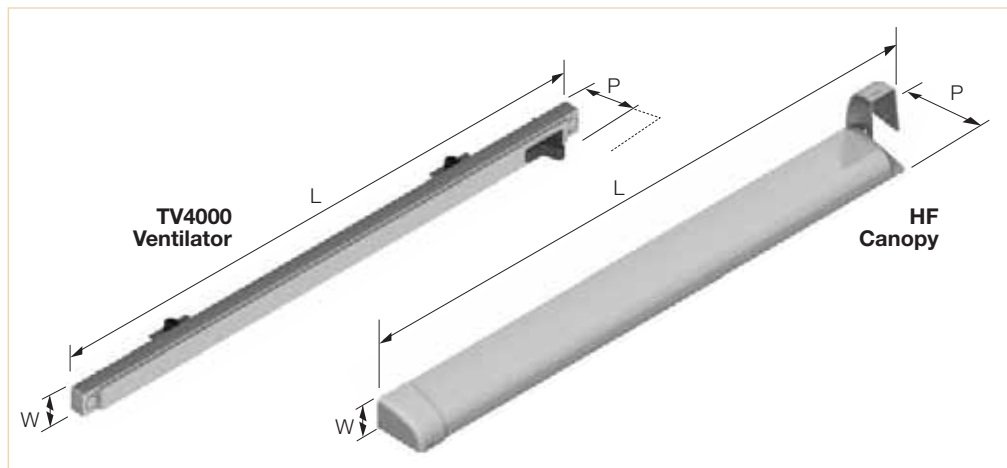
sizes and vent lengths, meaning they are 60% more efficient than previous models.

Specifically developed for recent revisions to Part F of the Building Regulations, Ventilation (England & Wales), and to improve performance for requirements throughout the UK and Europe.

Trimvent 4000 ventilators have been specified and fitted on millions of windows throughout the UK and mainland Europe for nearly twenty years.

Features and Benefits

- Revised design to improve performance and Regulations compliance
- Compression closing action
- For use on 13mm slot
- Based on successful Trimvent® principle
- T-bar deflects air up and down
- Unique linkages ensure constant friction and smooth action
- Vent supplied with screw covers, canopy features integral screw covers
- Special colours available on request
- Sleeve available for hollow profiles
- Felted gasket for increased performance
- When specified correctly complies with Building Regulations



Details

Product	Product Code	(L) Length	(W) Width	(P) Projection Closed-Open	EA (mm ²)	Free Area (mm ²)	Slot Detail
TV4000 HL 2200EA 255 vent	TA4042	255	17	28 - 38	2200	2169	223
HF 263 canopy	TA6053	263	24	36.5			13
TV4000 HL 4000EA 400 vent	TA4041	400	17	28 - 38	4000	3989	173.5 20 173.5
HF 441 canopy	TA6054	441	24	36.5			13
TV4000 HL 6000EA 575 vent	TA4044	575	17	28 - 38	6000	5925	173 12 173 12 173
HF 582 canopy	TA6004	582	24	36.5			13
Sleeve	Please phone for details			Please phone for details			

EA figures above and marked on vents are achieved when fitted to manufacturer's recommendations. Tested in accordance with BS:EN 13141-1 (2004).

Manufactured from

Aluminium 6063 HIT T6, component parts POM & PP (UV Stable)

Recommended screws

3.5mm (No.6) Round Head or equivalent

Standards

Tested in accordance with BS EN 13141-1:2004 (air flow, air leakage and weather tightness)

Acoustic performance tested in accordance with BS EN ISO20140-10:1992, BS EN ISO140-10:1991 and single figures to BS EN ISO717-1:1991

Performance

(Full test details available on request)
 Equivalent Area – See above
 Free Area – See above
 Air Leakage (m³/hr @ 50Pa) – 0.99 (4000EA version)
 Water Resistance (Pa) – 600
 Acoustic D_{n,e,w} (+/-) – vent open 32 (0;1), vent closed 43 (0;-1)

Finishes

Suffix product code with:
 -020 (white), -001 (SAA) (Canopy -026), -023 (brown)

More information

enquiries@titon.co.uk / 01206 713801



Through Sash



Through Add-on Section

Trimvent® Select E18

Recessed clip-fix slot ventilator



Trimvent® Select E18 Ventilator

Trimvent® Select GS18 Grilles

For use on PVCu windows

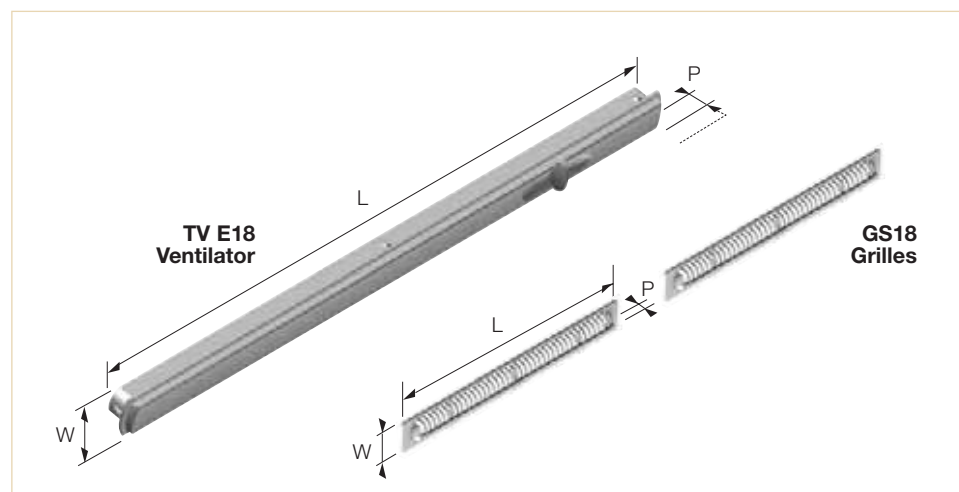
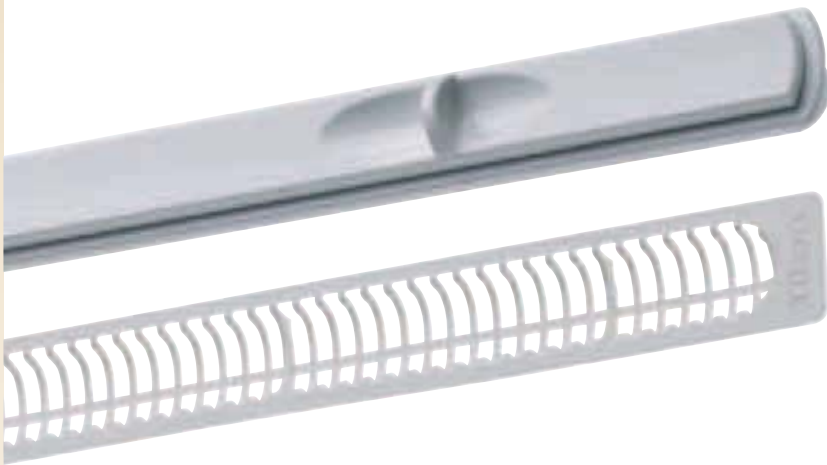
Trimvent Select E18 is a semi recessed clip fix plastic slot ventilator that fits into an 18mm slot in a window overhead section or cavity closer and provides an Equivalent Area (EA) of 4200mm² when fitted with a pair of GS18 grilles. The E18 is ideal for both new build and refurbishment situations using PVCu

windows and is available in a variety of colours.



Trimvent Select ventilators have been specified and fitted on millions of windows throughout the UK and mainland Europe over the last fifteen years.

Features and Benefits

- Revised design to improve performance and Regulations compliance
- Unique occupant controllable tilting T-bar
- Deflects air up or down, or both
- Ideal for overhead sections
- Push to fit, no tools or screws required
- Minimal projection (when closed) for ease of window stacking
- Flange covers slot edges
- Clips into an 18mm slot
- For use with GS18 grilles
- Based on successful Trimvent® principle
- Sculpted finger recess
- Patented and registered design
- Remote control vent available
- When specified correctly complies with Building Regulations



Details

Product	Product Code	(L) Length	(W) Width	(P) Projection Closed-Open	EA (mm ²)	Free Area (mm ²)	Slot Detail
E18 4200EA vent	TS1134212	372	24	13 - 23	4200	4247	
GS18 210 pair grilles	TS3184050	210 X 2	25	1.5	4200	4608	

Note: Vent can only be used on sections with wall thickness of 2 - 2.5mm. Slot tolerances of ± 0.5 mm are required.

EA figures above and marked on vents are achieved when fitted to manufacturer's recommendations. Tested in accordance with BS:EN 13141-1 (2004).

Manufactured from

PBTP (UV Stable) & POM, GS18 – PP

Standards

Tested in accordance with BS EN 13141-1:2004 (air flow, air leakage and weather tightness)

Acoustic performance tested in accordance with BS EN ISO20140-10:1992, BS EN ISO140-10:1991 and single figures to BS EN ISO717-1:1991



Overhead Section

Performance

(Full test details available on request)

Equivalent Area – See above

Free Area – See above

Air Leakage (m³/hr @ 50Pa) – 2.31 (with GS18)

Acoustic $D_{n,e,w}$ (+/-) – vent open 31 (-1;-1), vent closed 43 (-1;-2)

Finishes

Suffix product code with:

-392 (white), -315 (brown)

More information

enquiries@titon.co.uk / 01206 713801

Trimvent® SM

Aluminium slot ventilator



Trimvent® SM Ventilator

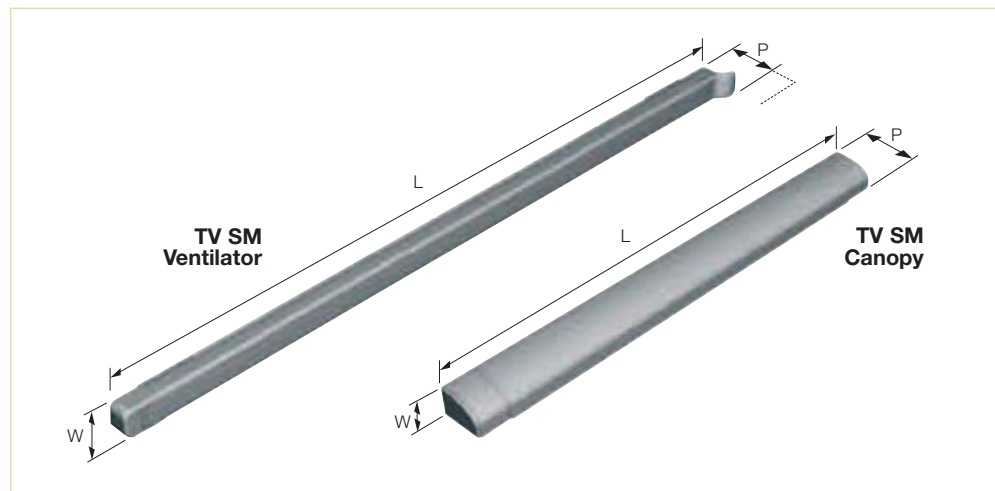
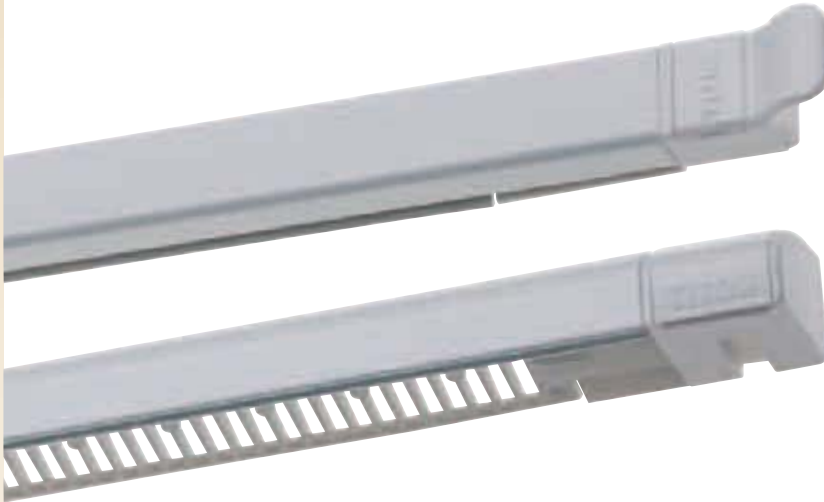
Trimvent® SM Canopy

For use on PVCu or aluminium windows




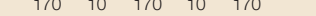
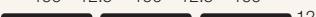
Trimvent SM vent is a surface mounted aluminium slot ventilator that fits over a 10 or 12mm slot in a window and provides an Equivalent Area (EA) of up to 5000mm² when fitted with an SM canopy. The TV SM is available in made to measure sizes or in bar length in a variety of colours.

Features and Benefits

- **Compression closing action**
- **For use over 10mm or 12mm slot, ideal for slim sections**
- **Flexible PVCu seal for improved weather tightness**
- **Ideal for retrofit applications, over a slot or series of holes**
- **Available in bar length for cutting to size by customer (details on request)**
- **Special paint finishes available**
- **Based on successful Trimvent® principle**
- **Deflects air up and down**
- **Thermally insulated**
- **Matching screw covers**
- **Patented design**
- **When specified correctly complies with Building Regulations**



Details

Product	Product Code	(L) Length	(W) Width	(P) Projection Closed-Open	EA (mm ²)	Free Area (mm ²)	Slot Detail
SM 1500EA 314 vent (10mm slot)	TA902	314	15	15.5 - 23			
SM 302 plastic canopy	TA906	302	17	24.5			209
SM 302 aluminium canopy	TA906	302	17	24.5	1500	2048	
SM 1500EA pack	TA952						
SM 2900EA 457 vent (12mm slot)	TA903	457	15	15.5 - 23			
SM 445 plastic canopy	TA907	445	17	24.5			169.5 13 169.5
SM 445 aluminium canopy	TA907	445	17	24.5	2900	4006	
SM 2900EA pack	TA953						
SM 3500EA 544 vent (10mm slot)	TA901	544	15	15.5 - 23			
SM 532 plastic canopy	TA905	532	17	24.5			212 15 212
SM 532 aluminium canopy	TA905	532	17	24.5	3500	4097	
SM 3500EA pack	TA951						
SM 4000EA 635 vent (12mm slot)	TA909	635	15	15.5 - 23			170 10 170 10 170
SM 588 aluminium canopy	TA912	588	17	24.5	4000	6027	
SM 5000EA 700 vent (12mm slot)	TA913	700	15	15.5 - 23			190 12.5 190 12.5 190
SM 705 aluminium canopy	TA914	705	17	24.5	5000	6750	

Bar length codes on request.

EA figures above and marked on vents are achieved when fitted to manufacturer's recommendations. Tested in accordance with BS:EN 13141-1 (2004).

Manufactured from

Aluminium 6063 HIT T6 & PVCu seal, canopy - Aluminium 6063 HIT T6, PP (UV Stable)

Recommended screws

3.5mm (No.6) Pan or Round Head or equivalent

Standards

Tested in accordance with BS EN 13141-1:2004 (air flow, air leakage and weather tightness)

Acoustic performance tested in accordance with BS EN ISO20140-10:1992, BS EN ISO140-10:1991 and single figures to BS EN ISO717-1:1991



Add-on section

Performance

(Full test details available on request)

Equivalent Area – See above

Free Area – See above

Air Leakage (m³/hr @ 50Pa) – 1.72 (2900EA version)

Water Resistance (Pa) – 750

Acoustic D_{n,e,w} (+/-) – 2900EA version - vent open 33 (-1;0), vent closed 51 (-1;-4)

Finishes

Suffix product code with:

-020 (white), -023 (brown), -002 (black),

PVCu Canopy: -393 (white)

More information

enquiries@titon.co.uk / 01206 713801

SF Ventilator

Aluminium slot ventilator



SF Ventilator

SF Canopy

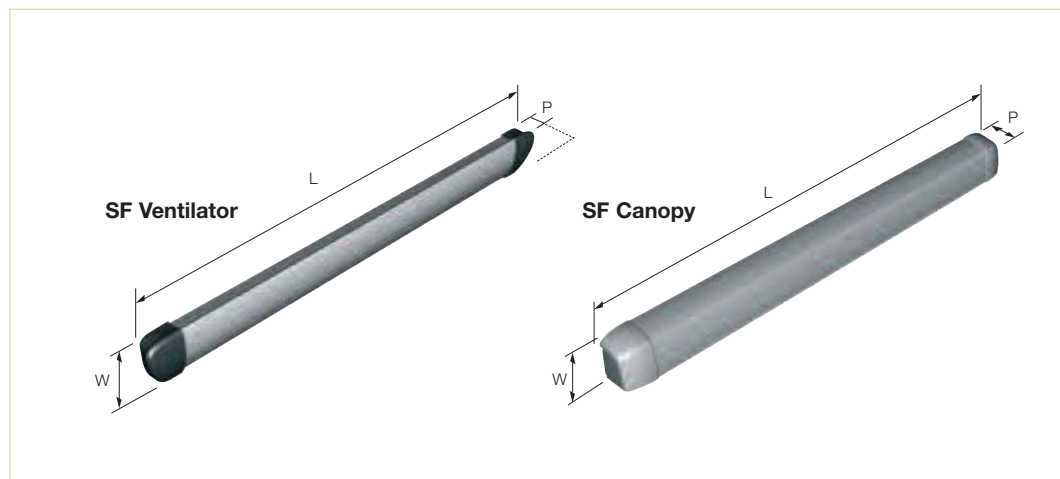
For use on PVCu or aluminium windows

SF vent is a high performance surface mounted aluminium slot ventilator that fits over a 13mm slot in a window and provides an Equivalent Area (EA) of up to 6200mm² when fitted with an SF canopy. The SF is available in made to measure sizes or in bar length in a variety of colours.

SF Sound Attenuating Vent available mid 2011. Go to www.titon.co.uk/acoustics for more information.

Features and Benefits

- Simple construction to aid painting, self-assembly & fitting
- Ideal for use in non-domestic installations
- Compression closing action
- High performance gasket improves sealing in adverse conditions
- For use over a 13mm slot
- Ideal for retrofit applications, over a slot or series of holes
- Supplied made-to-measure or in bar length
- Available in bar length for cutting to size by customer (details on request)
- Bar length product available in mill finish for customer painting
- Special paint finishes available
- Available in vent and canopy packs
- Integral screw covers
- Registered design
- When specified correctly complies with Building Regulations



Details

Product	Product Code	(L) Length	(W) Width	(P) Projection Closed-Open	EA (mm ²)	Free Area (mm ²)	Slot Detail
SF 2600EA 325 vent	TA5009	325	28	11.5 - 23		3117	
SF 318 canopy	TA5010	318	23	27	2600	3775	
SF 2600EA pack	TA5059						
SF 3300EA 425 vent	TA5001	425	28	11.5 - 23		4207	
SF 418 canopy	TA5005	418	23	27	3300	5114	
SF 3300EA pack	TA5051						
SF 5000EA vent	TA5011	650	28	11.5 - 23		6659	
SF 643 canopy	TA5012	643	23	27	5000	8127	
SF 5000EA pack	TA5061						
SF 6200EA vent	TA5003	775	28	11.5 - 23		8022	
SF 768 canopy	TA5007	768	23	27	6200	9801	
SF 6200EA pack	TA5053						

Bar length codes on request.

EA figures above and marked on vents are achieved when fitted to manufacturer's recommendations. Tested in accordance with BS:EN 13141-1 (2004).

Manufactured from

Aluminium 6063 HIT T6, component parts POM & PP (UV Stable)

Recommended screws

3.5mm (No.6) Round Head or equivalent

Standards

Tested in accordance with BS EN 13141-1:2004 (air flow, air leakage and weather tightness)

Acoustic performance tested in accordance with BS EN ISO20140-10:1992, BS EN ISO140-10:1991 and single figures to BS EN ISO717-1:1991



Add-on section

Performance

(Full test details available on request)

Equivalent Area – See above

Free Area – See above

Air Leakage (m³/hr @ 50Pa) – 2.39 (3300EA version).

Water Resistance (Pa) – 600

Acoustic D_{n,e,w} (+/-) – 3300EA version - vent open 32 (-1;1), vent closed 41 (-1;-2)

SF Sound Attenuating Vent TBA

Finishes

Suffix product code with:

-020 (white)

More information

enquiries@titon.co.uk / 01206 713801

Gas Regulations Ventilator

Permanent slot ventilator



Gas Regulations Ventilator

Gas Regulations Canopy

For use on PVCu, timber or aluminium windows

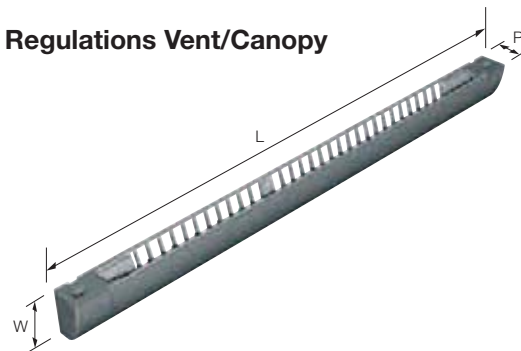
Gas Regulations vent is a surface mounted aluminium slot ventilator that fits over a 13 or 16mm slot in a window. Gas Regulations ventilator can provide a Free Area of up to 10000mm² permanent ventilation when fitted with a Gas Regulations canopy. The Gas Regulations vent is available in white or brown paint.

Features and Benefits

- Complies with BS 5440 Part 2 & Building Regulations Part J
- For use mounted over a 13mm or 16mm slot
- Integral screw covers for concealed fixing
- Four sizes available; 4000mm² Free Area for use with 7 to 15kW open flue boilers, 7500mm² Free Area for 15 to 22kW open flue boilers, 5000mm² for use with certain flue-less appliances.
- Two ventilators supplied per pack (one fitted internally, one fitted externally)
- Supplied with warning label, screws and fixing instructions
- **PLEASE REFER TO A QUALIFIED GAS PROFESSIONAL FOR ADVICE ON CORRECT SIZING OR USAGE OF GAS REGULATIONS VENTILATORS**



Gas Regulations Vent/Canopy



Details

Product	Product Code	(L) Length	(W) Width	(P) Projection	EA (mm ²)	Free Area (mm ²)	Slot Detail
4000 Free Area GR ventilator pack	TA934	389	24	17	-	4000	
5000 Free Area GR ventilator pack	TA937	475	24	17	-	5000	
7500 Free Area GR ventilator pack	TA938	675	24	17	-	7500	
10000 Free Area GR ventilator pack	TA939	787	24	17	-	10000	

Orientation of ventilator varies according to slot width

Manufactured from

Aluminium 6063 HIT T6, component parts PP (UV Stable)

Recommended screws

3.5mm (No.6) Pan Head Self Tapping or equivalent

Standards

Designed to comply with Building Regulations (England & Wales) Approved Document J and BS 5440 Part 2:2000

Performance

(Full test details available on request)
Free Area – See above

Finishes

Suffix product code with:
-020 (white), -023 (brown)

More information

enquiries@titon.co.uk / 01206 713801



Through sash

Maxiglaze

Energy efficient glazed-in ventilator



Maxiglaze Ventilator (inside)

Maxiglaze Ventilator (outside)

For use on PVCu, timber* or aluminium windows

Maxiglaze is an energy efficient glazed-in aluminium ventilator that provides an Equivalent Area (EA) of 12000mm² per metre of extrusion (equal to vent length minus 57mm). Optimum performance over length

requires fewer vents to be fitted to achieve total requirement. The Maxiglaze is available in made to measure sizes or in bar length in a variety of colours.



Features and Benefits

- Optimum air opening over length
- 2500mm² EA / 4600mm² Free Area at 270mm long, 5000mm² EA / 8900mm² Free Area at 470mm long
- Supplied made-to-measure or in bar length
- Designed for easy cutting and assembly from bar length
- Suitable for 20, 24 or 28mm glass thicknesses
- Available in mill finish bar length for customer painting (24mm version only)
- Vent Injection Process (VIP); rapid sealing method to improve weather tightness
- Aluminium or (white) plastic canopy
- Dual colour (inner and outer) finish available
- Thermally improved (not mill finish version). Complies with BS5440 Part 2
- Channel gasket
- Available in Gas Regulations version
- Cord and rod control versions
- Patented design
- When specified correctly complies with Building Regulations

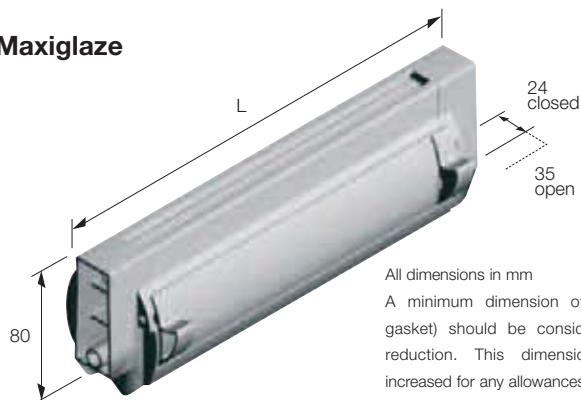
*Suitability on timber windows dependent on bead fitting method and sealing. Please phone for further details.



Cord operation

Rod Operation

Maxiglaze



All dimensions in mm
A minimum dimension of 68 (including gasket) should be considered for glass reduction. This dimension should be increased for any allowances in fitting beads, gaskets etc., or for manufacturing tolerances.

Manufactured from

Aluminium 6063 HIT T6, component parts PVCu, POM, PA6 & PP (UV Stable)

Standards

Tested in accordance with BS EN 13141-1:2004 (air flow, air leakage and weather tightness)

Gas Regulations version designed to comply with Building Regulations (England & wales) Approved Document J and BS 5440 Part 2:2000

Acoustic performance tested in accordance with BS EN ISO20140-10:1992, BS EN ISO140-10:1991 and single figures to BS EN ISO717-1:1991

Performance

(Full test details available on request)

Equivalent Area (EA) (mm²) – 12000 per metre of extrusion

Free Area (mm²) – 21476 per metre of extrusion

Air Leakage (m³/hr @ 50Pa) – 500mm overall length - 0.98

Water Resistance (Pa) – 600

Acoustic D_{n,e,w} (+/-) – 500mm overall length - vent open 29 (0;0), vent closed 48 (-1;-3)

Finishes

Suffix product code with:

-387 (white with PVCu canopy), -020 (white with white aluminium canopy), -475 (white with black aluminium canopy)

*This product cannot be supplied anodised

More information

enquiries@titon.co.uk / 01206 713801

Details

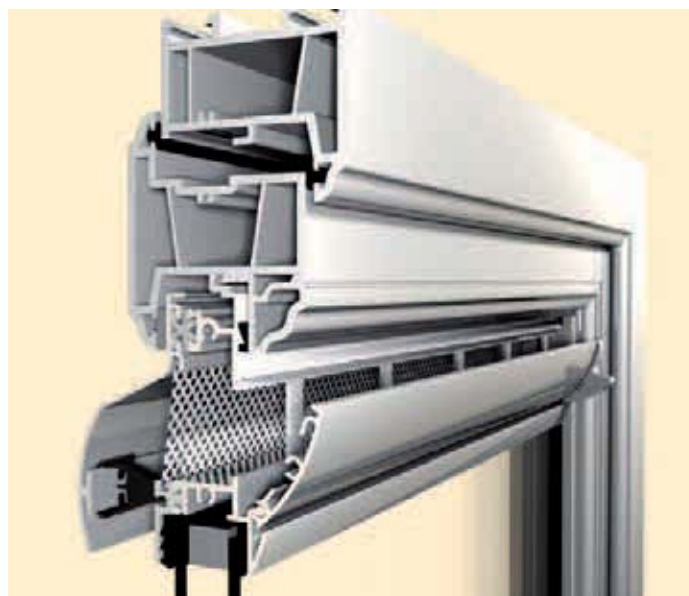
Length	Product Code		
	20mm Glass Thickness	24mm Glass Thickness	28mm Glass Thickness
207-399	GV18301	GV18401	GV18501
400-499	GV18302	GV18402	GV18502
500-599	GV18303	GV18403	GV18503
600-699	GV18304	GV18404	GV18504
700-799	GV18305	GV18405	GV18505
800-899	GV18306	GV18406	GV18506
900-999	GV18307	GV18407	GV18507
1000-1099	GV18308	GV18408	GV18508
1100-1199	GV18309	GV18409	GV18509
1200-1299	GV18310	GV18410	GV18510
1300-1399	GV18311	GV18411	GV18511
1400-1499	GV18312	GV18412	GV18512
1500-1599	GV18313	GV18413	GV18513
1600-1699	GV18314	GV18314	GV18314
1700-1799	GV18315	GV18315	GV18315
cord control	TA18002/012 Black or TA18002/392 White		
rod control 600mm rod pack	TA18003/012 Black or TA18003/392 White		
rod control 1000mm rod pack	TA18004/012 Black or TA18004/392 White		

Vent supplied with unrestricted Equivalent Area over length.

Product can be supplied with Equivalent Area limited to 2500 or 5000mm² EA figures above and marked on vents are achieved when fitted to manufacturer's recommendations. Tested in accordance with BS:EN 13141-1 (2004).



VIP



Over glass

Variglaze

Slim thermally improved glazed-in ventilator



Variglaze Ventilator (inside)

Variglaze Ventilator (outside)

For use on PVCu, timber* or aluminium windows

Variglaze is a thermally improved glazed-in aluminium ventilator that provides an Equivalent Area (EA) of 5400mm² per metre of extrusion (equal to vent length minus 78mm). Slim size minimises impact on window sight size. The Variglaze is available in made to measure sizes or in bar length in a variety of colours.

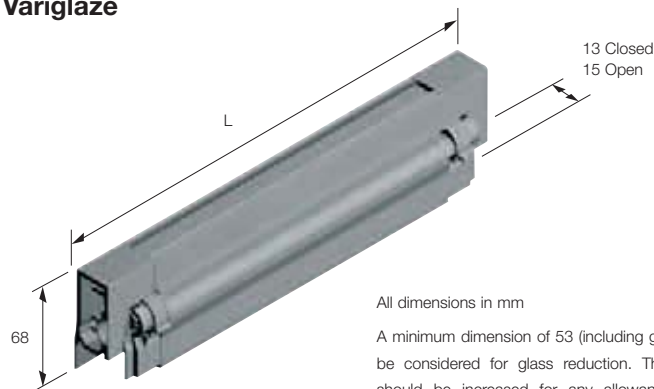


*Suitability on timber windows dependent on bead fitting method and sealing. Please phone for further details.

Features and Benefits

- Slim size minimises impact on window sight size
- 2500mm² EA at 540mm long
5000mm² EA at 1005mm long
- Supplied made-to-measure or in bar length (pre painted only)
- Bar length for cutting to size by customer (pre painted only)
- Suitable for 20, 22, 24 or 28mm glass thicknesses
- Aluminium or white plastic canopy
- Dual hardness flap gasket improves weather tightness
- Minimal projection for inline patio doors
- Thermally improved
- Available in Gas Regulations version, complies with BS5440 Part 2
- Retrofit or fitted cord control unit
- When specified correctly complies with Building Regulations

Variglaze



All dimensions in mm

A minimum dimension of 53 (including gasket) should be considered for glass reduction. This dimension should be increased for any allowances in fitting beads, gaskets etc., or for manufacturing tolerances.

Details

Length	Product Code			
	20mm Glass Thickness	22mm Glass Thickness	24mm Glass Thickness	28mm Glass Thickness
178-299	GV12301	GV12351	GV12401	GV12501
300-399	GV12302	GV12352	GV12402	GV12502
400-499	GV12303	GV12353	GV12403	GV12503
500-599	GV12304	GV12354	GV12404	GV12504
600-699	GV12305	GV12355	GV12405	GV12505
700-799	GV12306	GV12356	GV12406	GV12506
800-899	GV12307	GV12357	GV12407	GV12507
900-999	GV12308	GV12358	GV12408	GV12508
1000-1199	GV12309	GV12359	GV12409	GV12509
1200-1500	GV12310	GV12360	GV12410	GV12510

EA figures above and marked on vents are achieved when fitted to manufacturer's recommendations. Tested in accordance with BS:EN 13141-1 (2004).

Manufactured from

Aluminium 6063 HIT T6, component parts PVCu, POM, PA6 & PP (UV Stable)

Standards

Tested in accordance with BS EN 13141-1:2004 (air flow, air leakage and weather tightness)

Acoustic performance tested in accordance with BS EN ISO20140-10:1992, BS EN ISO140-10:1991 and single figures to BS EN ISO717-1:1991



Over glass

Performance

(Full test details available on request)

Equivalent Area (EA) (mm²) – 5400 per metre of extrusion

Free Area (mm²) – 9650 per metre of extrusion

Air Leakage (m³/hr @ 50Pa) – 500mm overall length - 2.49

Water Resistance (Pa) – 300

Acoustic D_{n,e,w} (+/-) – 500mm overall length -

vent closed 48 (-1;-1), vent open 33 (0;-2)

Finishes

Suffix product code with:

-387 (white with white PVCu canopy), -020 (white with white aluminium canopy), -475 (white with black aluminium canopy)

More information

enquiries@titon.co.uk / 01206 713801

Sobinco Silentbloc

Purpose made acoustic (sound attenuating) glazed-in ventilator



Interior

Exterior

For use on PVCu, timber or aluminium windows

Silentbloc is a thermally broken purpose made acoustic (sound attenuating) glazed-in aluminium ventilator that provides an Equivalent Area (EA) of 12500mm² per metre. The Silentbloc is available in made to

measure sizes in a variety of colours. Silentbloc is ideal for installation in commercial applications such as hospitals, schools and offices.



Silentbloc 5

Features and Benefits

- **Two versions available depending on acoustic requirement**
- **Supplied made to measure**
- **Thermally broken**
- **Suitable for fitting over the glass, above a transom or over the top of the window**
- **Suitable for various glass thicknesses**
- **Special colours available on request**
- **Different internal and external colour combinations possible**
- **Cord or rod operation also available**
- **Fascia detachable for cleaning**
- **Note to Specifiers – Silentbloc type ventilators are purposely designed to offer sound attenuating capabilities. Independent tests have demonstrated other smaller slot or glazed-in 'acoustic' ventilators do not give any significant improvement in the acoustic performance of a window complying with background ventilation requirements, compared to one using standard non-acoustic ventilators.**
- **When specified correctly complies with Building Regulations**

Manufactured from

Aluminium 6063 HIT T6, component parts PVCu, POM, PA6 & PP (UV Stable)

Standards

Tested in accordance with BS EN 13141-1:2004 (air flow, air leakage and weather tightness)

Acoustic performance tested in accordance with BS EN ISO20140-10:1992, BS EN ISO140-10:1991 and single figures to BS EN ISO717-1:1991.

Performance

(Full test details available on request)

Equivalent Area (EA) (mm²) – Silentbloc 3 - 12500 per metre, Silentbloc 5 - 14000 per metre

Free Area (mm²) - Silentbloc 3 - 20000 per metre, Silentbloc 5 - 20000 per metre

Air Leakage (m³/hr @ 50Pa) -

Silentbloc 3 - 2.65 @ 507mm overall length,

Silentbloc 5 - 1.21 @ 507mm overall length

Acoustic D_{n,e,w} (+/-) - vent open 40, vent closed 49

(Silentbloc 3; 1000mm overall length), vent open 43,

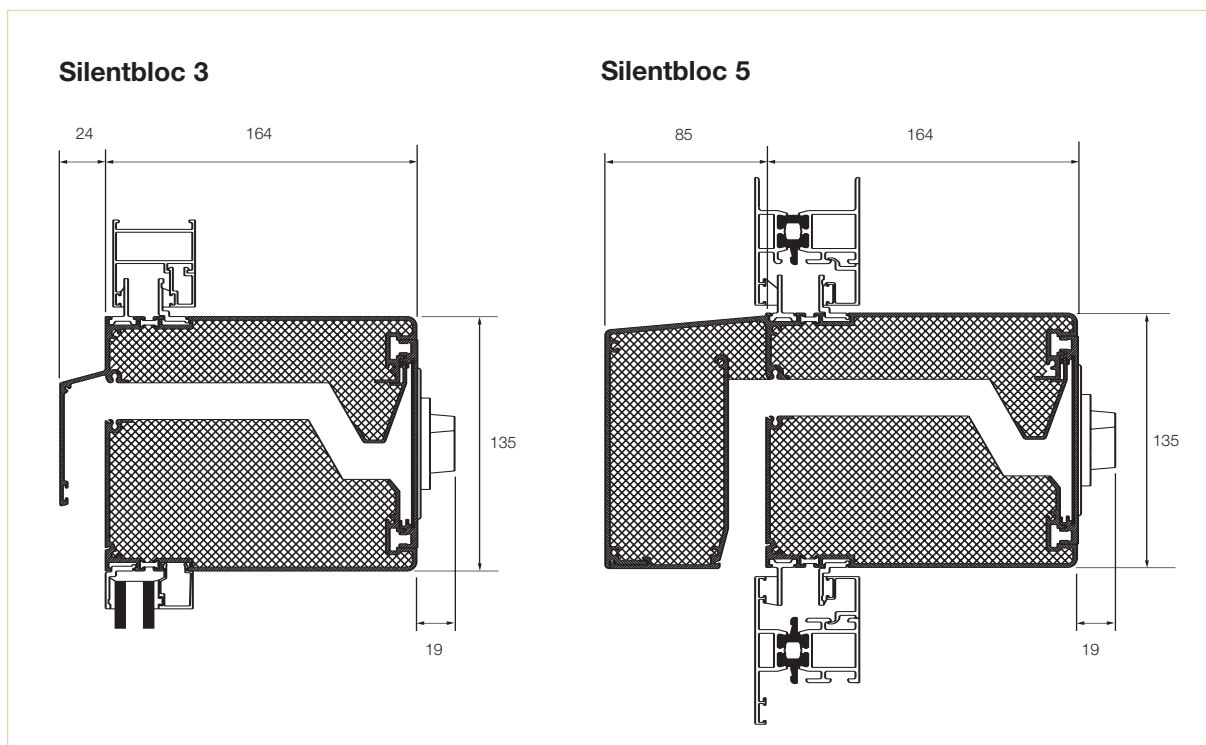
vent closed 52 (Silentbloc 5; 1000mm overall length)

Finishes

Available on request

More information

enquiries@titon.co.uk / 01206 713801



Vent-Trex

Over-head extract/background ventilator



Vent-Trex

For use on PVCu or timber windows

Vent-Trex is a unique combined overhead extract and background ventilator for use in kitchens and bathrooms. Vent-Trex is ideal for refurbishment situations, as it does not damage the fabric of the building.

It provides a minimum Equivalent Area (EA) of 2500mm² and extract ventilation rates offering compliance via one product.



Features and Benefits

- **Unique combined extract or background ventilator**
- **Integral with window, ideal for refurbishment situations**
- **Avoids damage to building fabric**
- **Easy to install**
- **Low installation costs compared to traditional extract ventilators**
- **Bathroom version - single speed (15 l/s *)**
- **Kitchen version - two speed (60 l/s and 30 l/s *)**
- **2500mm² EA minimum**
- **Low energy usage**
- **Easy to clean**
- **IP24 rating**
- **Pull cord switch and power light (dependant on model)**
- **Humidistat option available (integral or remote)**
- **Available with remote PSU**
- **Continuous power or continuous running versions**
- **Variable speed version**
- **2 year guarantee**

* Airflow is reduced at lengths less than 1200mm Kitchen version with integral PSU or 1040mm with remote PSU & reduced fan rotor lengths on Bathroom version.

Details

Option	Bathroom Model	Kitchen Model
Minimum length (remote PSU)	300mm	450mm
Minimum length (integral PSU)	440mm	610mm (640mm cont. running version)
Minimum length to achieve rate shown (remote PSU)	15 l/s: 410mm	30 l/s & 60 l/s: 1040mm*
Minimum length to achieve rate shown (integral PSU)	15 l/s: 540mm	30 l/s & 60 l/s: 1200mm*
Maximum length	2500mm	2500mm
Minimum length to achieve 2500mm ² EA	300mm	450mm

* Airflow is reduced at lengths less than 1200mm Kitchen version with integral PSU or 1040mm with remote PSU & reduced fan rotor lengths on Bathroom version.

Performance

(Full test details available on request)

Equivalent Area (EA) – 2500mm² (Minimum)

Free Area (mm²) – Bathroom model:

Integral PSU (length 540–2500mm): 5280mm² min

Remote PSU (length 410–2500mm): 5280mm² min

Kitchen model: Length 960–2500mm: 9000mm²

Finishes

White (to match RAL 9010) or, depending on quantity, brown

More information

enquiries@titon.co.uk / 01206 713801

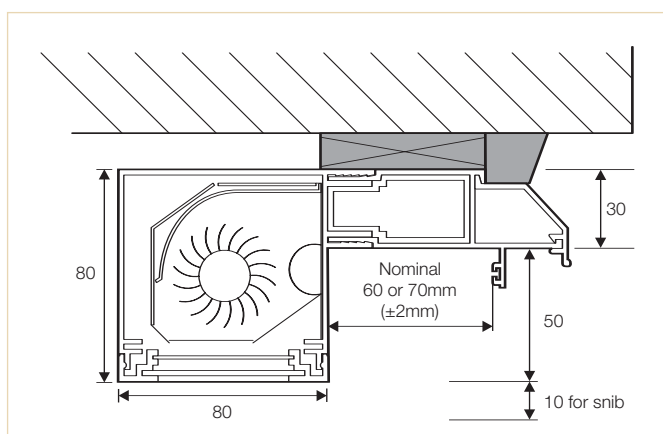
Details

230V AC Voltage / Power Consumption (standard version)

12V Bathroom – 5W @ 15 l/s (540mm length) (Integral PSU)

24V Kitchen – 38W @ 60 l/s (1200mm length) (Integral PSU)

Motor protection: IP24 Rating CE marked according to LVD and EMC directives



Other Ventilators

Glazed-in

Swing Up



Slim profile glazed-in ventilator

For use on aluminium windows

- Fitted above or below glass
- Free Area (mm²) 17000 per metre, Equivalent Area (mm²) 14000 per metre
- Minimal internal and external projection, suitable for sliding doors
- Made-to-measure
- Thermally improved
- Three intermediate open positions
- Easy-clean detachable fly screen
- Flush snib, cord, rod or detachable rod control options
- Dual colour option
- Powder coated or anodised finishes

Isobloc Variant



High airflow louvred glazed-in ventilator

For use on aluminium windows

- Fitted above or below glass
- Free Area (mm²) 28500 per metre, Equivalent Area (mm²) 13000 per metre
- Made-to-measure
- Thermally improved
- Exterior weather louvre
- Flush snib, cord, lever or remote control options
- Dual colour option
- Powder coated or anodised finishes

Alternative or supplementary types of ventilation

When good or best practice calls for more background ventilation than can be provided through window trickle ventilators, Titon offer a range of products to assist in compliance in domestic situations.

Some products also work in conjunction with, or instead of, window trickle ventilators, to provide the extract and whole building ventilation rates required in an up to date energy efficient dwelling.

Air Bricks with sound attenuation



Internal Grille



External Grille

Central Mechanical Extract ventilation



Filtered supply ventilation with sound attenuation



Extract Fans



Mechanical Ventilation with Heat Recovery



Aluminium louvre grilles



Accessories



Please refer to the Titon Ventilation Systems catalogue for further information on all these ranges.