



EASY AND RELIABLE OPENING
GEZE FANLIGHT OPENERS OL 90 N, OL 95 AND OL 320



Table of Contents

Foreword	GEZE Fanlight Opener Systems (OL)	4
	Overview of Manual Fanlight Opener Systems	5
Chapter 1	GEZE OL 90 N	
	Introduction	6
	Rectangular windows	8
	Special shape: Angular window	10
	Special shape: Triangular windows	12
	Special shape: Round and segmental arch windows	14
	Top hung, outward-opening	17
Chapter 2	GEZE OL 95	20
	Order information GEZE OL 90 N and GEZE OL 95	23
	Accessories GEZE OL 90 N and GEZE OL 95	27
Chapter 3	GEZE OL 320	37
	Order information GEZE OL 320	40
	Accessories GEZE OL 320	42
	GEZE gripping and cleaning scissor stay (FPS)	46
	GEZE OL 90 N and OL 95 - photographic overview	48
	References	49
	Packaging unit applications: GEZE OL 90 N	50

GEZE SLIMLINE FANLIGHT OPENERS

GEZE Fanlight Opener Systems (OL)

Daily ventilation made easy

The manual window opening systems are used for convenient, daily ventilation.

GEZE slimline scissor stays open fanlights with opening widths up to 320 mm.

The range of applications includes rectangular, inward-opening bottom-hung or top-hung casements and outward-opening top-hung windows. Solutions are also available for special shapes, e.g. angular, triangular, round and segmental arch windows.

The outstanding features of GEZE fanlight opener systems are their excellent user friendliness and ease of installation.

RAL quality mark



The GEZE slimline fanlight openers OL 90 N and OL 95 fulfil the extensive requirements of the RAL quality protection targets and the high RAL quality level.

GEZE supplies different types of manual fanlight openers. The table on the following page gives an overview of these.

OL 90 N



Slimline fanlight opener with a large number of variation options

OL 90 N Top-hung, outward-opening



Slimline fanlight opener with burglary resistant lock

OL 95



Slimline fanlight opener especially for post/rail (stick) constructions

OL 320



Slimline fanlight opener with large opening width and heavy casements

GEZE SLIMLINE FANLIGHT OPENERS

Overview of Manual Fanlight Opener Systems

	GEZE OL 90 N	GEZE OL 90 N Top-hung, outward-opening	GEZE OL 95	GEZE OL 320
Area of application				
For vertically installed window casements made of wood, plastic or metal	•	•	•	•
Window shape				
Rectangular	•	•	•	•
Angular	•		•	•
Triangular	•		•	•
Round and segmental arch	•			
Type of opening				
Inward-opening	•		•	•
Outward-opening		•		
Technical data				
Length of the OL scissor stay	242 mm	274 mm	305 mm	436 mm
Depth of the OL scissor stay	49 mm	61 mm	49 mm	65 mm
Height of the OL scissor stay	16 mm	60 mm	16 mm	26 mm
Max. opening width	170 mm	170 mm	220 mm	320 mm
Max. panel weight	40 kg/m ²	30 kg/m ²	30 kg/m ²	140 kg/m ²
Max. casement weight	80 kg	80 kg	60 kg	250 kg
Min. casement width	380 mm	600 mm	440 mm	680 mm
Max. casement width with one scissor stay	1 200 mm	1 200 mm	1 200 mm	1 200 mm
Max. casement width with two scissor stays	2 400 mm	2 400 mm	2 400 mm	2 400 mm
Max. casement width with three scissor stays	3 600 mm	–	3 000 mm	3 600 mm
Min. casement height	250 mm	370 mm	350 mm	400 mm
Space requirement, min. to max.	19–27 mm	28–35 mm	21–27 mm	30–36 mm
Functions				
Adjustable opening width (stroke reduction)	•	•	•	•
Casement lock integrated in the scissor stay	•	•	•	•
Scissor stay unhooked by release button	•	•	•	•
Burglary resistant lock (SKG)		•		
Lockable	•		•	
Unhinging inhibitor	•		•	•
Page	6	17	20	37

• = Yes

GEZE SLIMLINE FANLIGHT OPENERS

GEZE OL 90 N

Surface-mounted slimline fanlight opener with an opening width of 170 mm

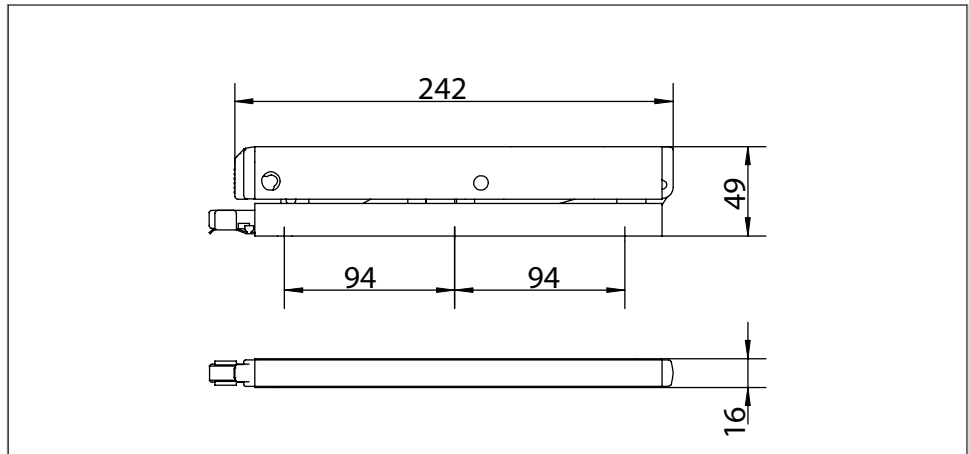


This fanlight opener is used on vertically installed, inward-opening rectangular windows with bottom-hung, top-hung, side-hung and horizontally pivot-hung casements made of wood, plastic or metal.

Solutions are also available for special shapes, e.g. angular, triangular, round and segmental arch windows.

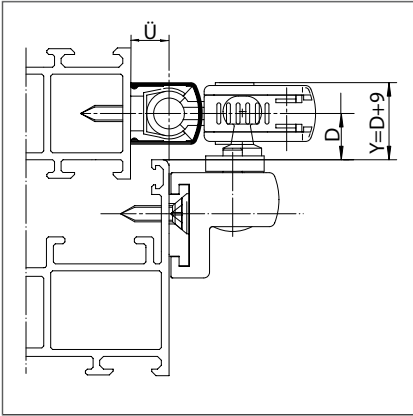
The GEZE OL 90 N fulfils the extensive requirements of the RAL quality protection targets and the high RAL quality level.

GEZE OL 90 N

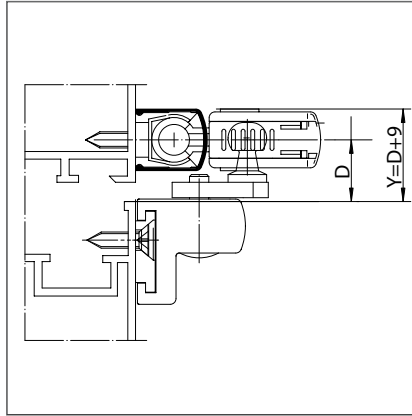


GEZE SLIMLINE FANLIGHT OPENERS

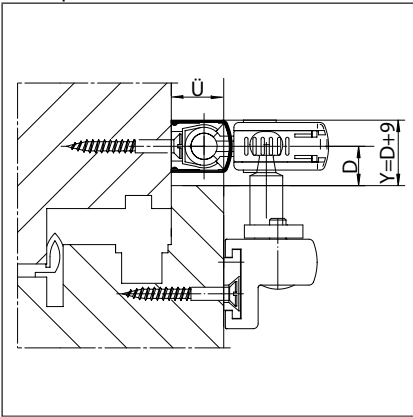
OL 90 N installation drawings for rectangular, angular, triangular, round and segmental arch windows



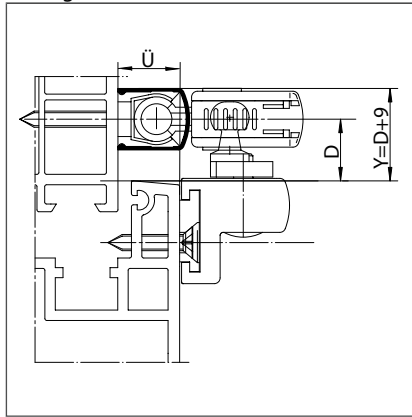
GEZE OL 90 N on light alloy window with overlap



GEZE OL 90 N on light alloy window, flush closing



GEZE OL 90 N on wooden window, Euro-groove



GEZE OL 90 N on plastic window

D = Distance between outer edge of casement and middle of rod

Y = Upper space requirement

Ü = Overlap height

GEZE SLIMLINE FANLIGHT OPENERS

GEZE OL 90 N for rectangular windows

Surface-mounted slimline fanlight opener for rectangular windows with an opening width of 170 mm

The OL 90 N achieves the full opening width of 170 mm with all casement heights. The flat design of the scissor stay and the rod assembly require little space above and to the side of the window casement. Completely preassembled assembly groups make installation easier. The scissor stays and the rod can be installed from the front. Rebate inaccuracies are automatically levelled out by an adjustable pressure setting. Fastening screws are not visible, the clear lines of the OL 90 N therefore remain uninterrupted. The lock in the scissor stay ensures secure casement locking. The easy unhooking of the scissor stay with the help of the release button enables the windows to be cleaned from the inside and outside.

GEZE OL 90 N Rectangular windows



Area of application

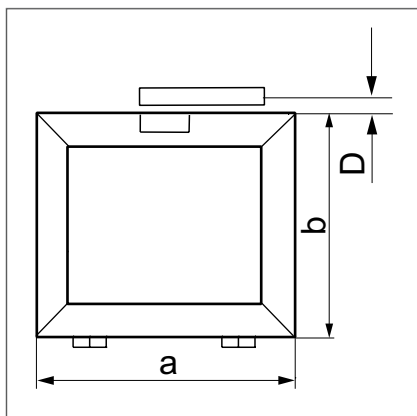
- For vertically installed bottom-hung, top-hung, side-hung and horizontally pivot-hung casements, inward-opening, made of wood, plastic or metal
- With overlap heights of 0-25 mm
- Max. leaf weight 80 kg

Product features	GEZE OL 90 N rectangular windows
Opening width (max.)	170 mm
Casement width (min.)	380 mm
Casement height (min.)	250 mm
Casement weight (max.)	80 kg
Fitting stroke	54 mm
Length	242 mm
Depth	49 mm
Height	16 mm
Functions	
Adjustable opening width (stroke reduction)	•
Casement lock integrated in the scissor stay	•
Scissor stay unhooked by release button	•
Burglary resistant lock (SKG)	•*
Lockable	•
Unhinging inhibitor	•

• = Yes

* = in conjunction with the lock carrier and concealed locks

OL 90 N installation drawing for rectangular windows



Limits of use

Number of scissor stays	Casement width a (min.)	Casement width a (max.)	Casement height b (min.)	Casement weight (max.)	Panel weight (max.)
1	380 mm	1 200 mm			40 kg/m ²
2	1 201 mm	2 400 mm	250 mm	80 kg	
3	2 401 mm	3 600 mm			25 kg/m ²

Adjustable dimensions and space requirement

Casement height b (min.)	Casement height b (max.)	Adjustable dimension D (min.) top	Space requirement Y, top
250 mm	300 mm	16–18 mm	D(min) + 9 mm
301 mm	400 mm	14–18 mm	
401 mm	500 mm	12–18 mm	
501 mm		10–18 mm	

GEZE SLIMLINE FANLIGHT OPENERS

GEZE OL 90 N special shape for angular windows

Surface-mounted slimline fanlight opener for angular windows with an opening width of 170 mm

The OL 90 N achieves the full opening width of 170 mm with all casement heights.

The flat design of the scissor stay and the rod assembly require little space above and to the side of the window casement.

Completely preassembled assembly groups make installation easier. The scissor stays and the rod can be installed from the front.

Rebate inaccuracies are automatically levelled out by an adjustable pressure setting. Fastening screws are not visible, the clear lines of the OL 90 N therefore remain uninterrupted.

The lock in the scissor stay ensures secure casement locking.

The easy unhooking of the scissor stay with the help of the release button enables the windows to be cleaned from the inside and outside.

Area of application

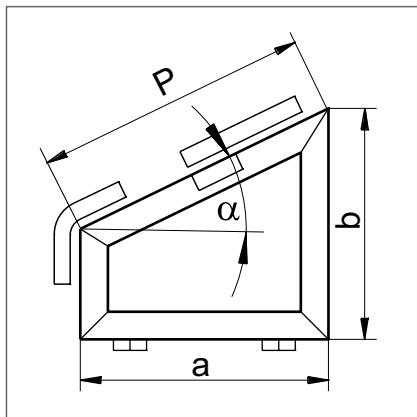
- For vertically installed angular bottom-hung casements, inward-opening, made of wood, plastic or metal
- With overlap heights of 0-25 mm
- Max. leaf weight 80 kg
- Only one scissor stay may be mounted on each window
- Additional locks are recommended from a casement width of 1000 mm

Product features	GEZE OL 90 N for angular windows
Opening width (max.)	170 mm
Casement width (min.)	380 mm
Casement height (min.)	250 mm
Casement weight (max.)	80 kg
Length	242 mm
Depth	49 mm
Height	16 mm
Functions	
Adjustable opening width (stroke reduction)	●
Casement lock integrated in the scissor stay	●
Scissor stay unhooked by release button	●
Burglary resistant lock (SKG)	○
Lockable	●
Unhinging inhibitor	●

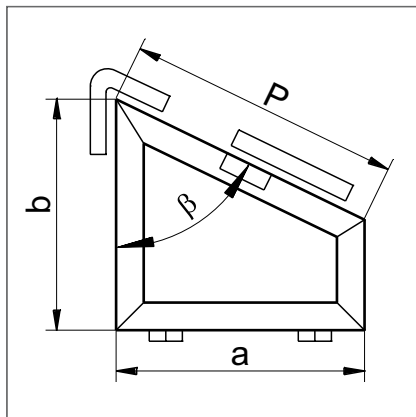
- = Yes
- = No

GEZE SLIMLINE FANLIGHT OPENERS

OL 90 N installation drawings for angular windows



Angular window, $\alpha < 60^\circ$



Special case angular window, $\beta > 60^\circ$

Limits of use

Tilt angle	Casement width a (min.)	Casement height b (min.)	Casement weight (max.)	Panel weight (max.)	Long side length P
$\alpha \leq 30^\circ$	420 mm	400 mm			
$\alpha = 30^\circ - 40^\circ$	360 mm	550 mm	80 kg	30 kg/m ²	420–2 000 mm
$\alpha = 40^\circ - 50^\circ$	320 mm	650 mm			
$\alpha = 50^\circ - 60^\circ$	270 mm	750 mm			
Special shape					
$\beta \geq 60^\circ$	420 mm	600 mm	40 kg	25 kg/m ²	420–1 000 mm

Adjustable dimensions and space requirement

Operation	Adjustable dimension D (min.) top	Space requirement X side	Adjustable dimension D (min.) side	Space requirement Y, top
with additional lock	10–18 mm	D(min) + 9 mm	–	D(min) + 9 mm
Hand lever	10 mm	D(min) + 10 mm	10 mm	

GEZE SLIMLINE FANLIGHT OPENERS

GEZE OL 90 N special shape for triangular windows

Surface-mounted slimline fanlight opener for triangular windows with an opening width of 170 mm

The OL 90 N achieves the full opening width of 170 mm with all casement heights.

The flat design of the scissor stay and the rod assembly require little space above and to the side of the window casement.

Completely preassembled assembly groups make installation easier. The scissor stays and the rod can be installed from the front.

Rebate inaccuracies are automatically levelled out by an adjustable pressure setting. Fastening screws are not visible, the clear lines of the OL 90 N therefore remain uninterrupted.

The lock in the scissor stay ensures secure casement locking.

The easy unhooking of the scissor stay with the help of the release button enables the windows to be cleaned from the inside and outside.

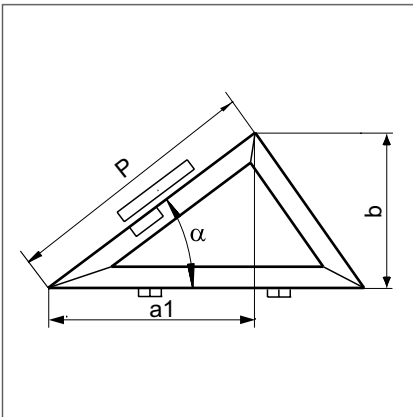
Area of application

- For vertically installed bottom-hung casements, inward-opening, made of wood, plastic or metal
- With overlap heights of 0-25 mm
- Max. leaf weight 80 kg
- Only one scissor stay may be mounted on each window
- Additional locks are recommended from a casement width of 1000 mm

Product features	GEZE OL 90 N for triangular windows
Opening width (max.)	170 mm
Casement width (min.)	380 mm
Casement height (min.)	250 mm
Casement weight (max.)	80 kg
Length	242 mm
Depth	49 mm
Height	16 mm
Functions	
Adjustable opening width (stroke reduction)	●
Casement lock integrated in the scissor stay	●
Scissor stay unhooked by release button	●
Burglary resistant lock (SKG)	○
Lockable	●
Unhinging inhibitor	●

● = Yes
○ = No

OL 90 N installation drawing for triangular windows



Limits of use

Tilt angle	Casement width a1 (min.)	Casement height b (min.)	Casement weight (max.)	Panel weight (max.)	Long side length P
$\alpha \leq 30^\circ$	700 mm	400 mm			
$\alpha = 30^\circ - 40^\circ$	650 mm	550 mm	80 kg	30 kg/m ²	420–2 000 mm
$\alpha = 40^\circ - 50^\circ$	550 mm	650 mm			
$\alpha = 50^\circ - 60^\circ$	450 mm	750 mm			
Special shape					
$\beta \geq 60^\circ$		600 mm	40 kg	25 kg/m ²	420–1 000 mm

Adjustable dimensions and space requirement

Operation	Adjustable dimension D (min.) top	Space requirement X side	Adjustable dimension D (min.) side	Space requirement Y, top
with additional lock	10–18 mm	D(min) + 9 mm	–	D(min) + 9 mm
Hand lever	10 mm	D(min) + 10 mm	10 mm	

GEZE SLIMLINE FANLIGHT OPENERS

GEZE OL 90 N special shape for round and segmental arch windows

Surface-mounted slimline fanlight opener for round and segmental arch windows with an opening width of 170 mm

The OL 90 N achieves the full opening width of 170 mm with all casement heights. The flat design of the scissor stay and the rod assembly require little space above and to the side of the window casement. Completely preassembled assembly groups make installation easier. The scissor stays and the rod can be installed from the front. Rebate inaccuracies are automatically levelled out by an adjustable pressure setting. Fastening screws are not visible, the clear lines of the OL 90 N therefore remain uninterrupted. The lock in the scissor stay ensures secure casement locking. The easy unhooking of the scissor stay with the help of the release button enables the windows to be cleaned from the inside and outside.

GEZE OL 90 N Round windows



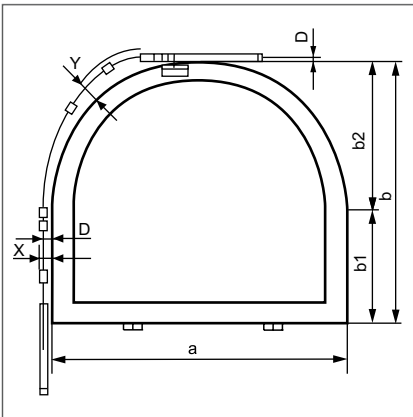
Area of application

- For vertically installed bottom-hung casements, inward-opening, as round or segmental arch windows made of wood, plastic or metal
- With overlap heights of 0-25 mm
- Max. leaf weight 80 kg

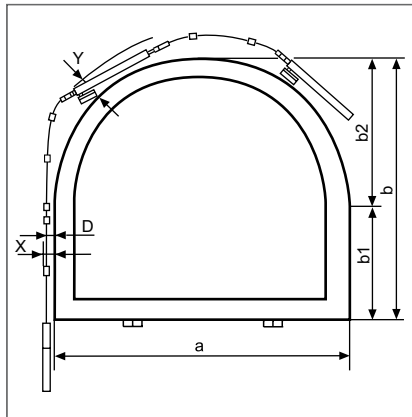
Product features	GEZE OL 90 N for round and segmental arch windows
Opening width (max.)	170 mm
Casement width (min.)	380 mm
Casement height (min.)	250 mm
Casement weight (max.)	80 kg
Length	242 mm
Depth	49 mm
Height	16 mm
Functions	
Adjustable opening width (stroke reduction)	○
Casement lock integrated in the scissor stay	●
Scissor stay unhooked by release button	●
Burglary resistant lock (SKG)	○
Lockable	●
Unhinging inhibitor	●

- = Yes
- = No

OL 90 N installation drawings for semicircular arched windows

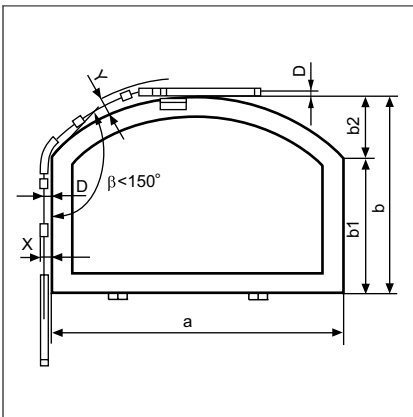


Rebate GEZE OL 90 N semicircular arched window with 1 scissor stay

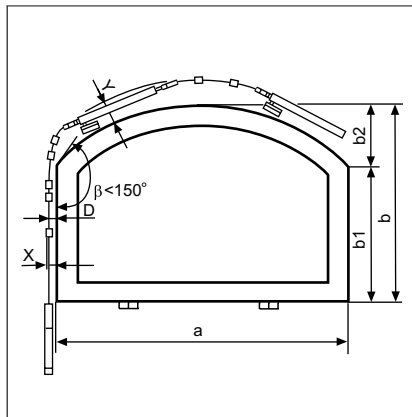


Rebate GEZE OL 90 N semicircular arched window with 2 scissor stays

OL 90 N installation drawings for segmental arch windows



Rebate GEZE OL 90 N segmental arch window with 1 scissor stay



Rebate GEZE OL 90 N segmental arch window with 2 scissor stays

Limits of use

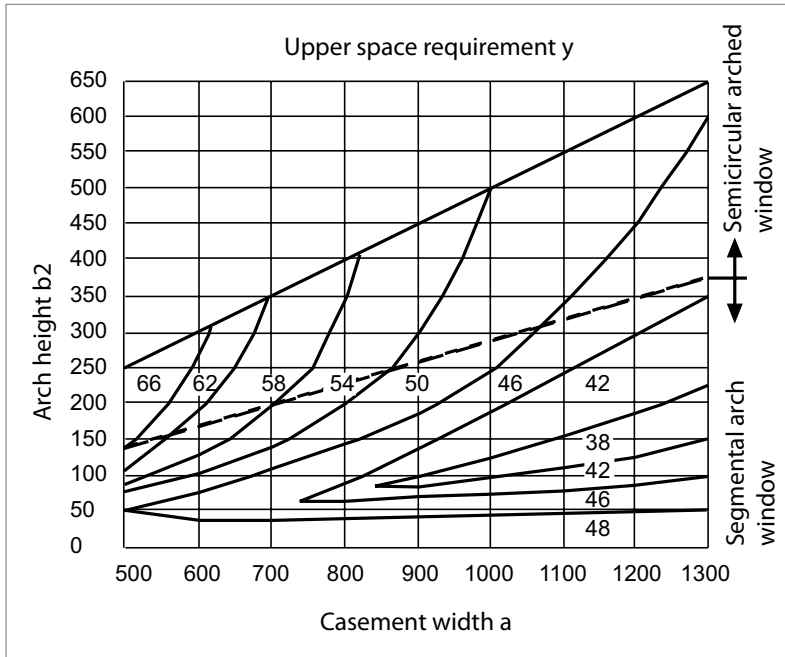
Angle β	Number of scissor stays	Casement width a (min.)	Casement width a (max.)	Casement height b (min.)	Casement weight (max.)	Panel weight (max.)
> 150°	1	500 mm	1 300 mm	300 mm	80 kg	40 kg/m ²
	2	1 301 mm	2 400 mm	650 mm		
< 150°	1	500 mm	1 300 mm	250 mm	80 kg	40 kg/m ²
	2	1 301 mm	2 400 mm	500 mm		

Adjustable dimensions and space requirement

Casement height b (min.)	Casement height b (max.)	Adjustable dimension D (min.) top	Space requirement X side	Adjustable dimension D (min.) side	Space requirement Y, top
250 mm	300 mm	16 mm	D(min) + 10 mm	12 mm oder 10/14	see diagram
301 mm	400 mm	12–16 mm			
401 mm		10–16 mm			

GEZE SLIMLINE FANLIGHT OPENERS

D dimension and top space requirement for round and segmental arch windows



GEZE OL 90 N
/OL 95/OL320

Manual Fanlight
Opener Systems

GEZE SLIMLINE FANLIGHT OPENERS

GEZE OL 90 N Top-hung, outward-opening

Slimline fanlight opener with burglary resistant lock



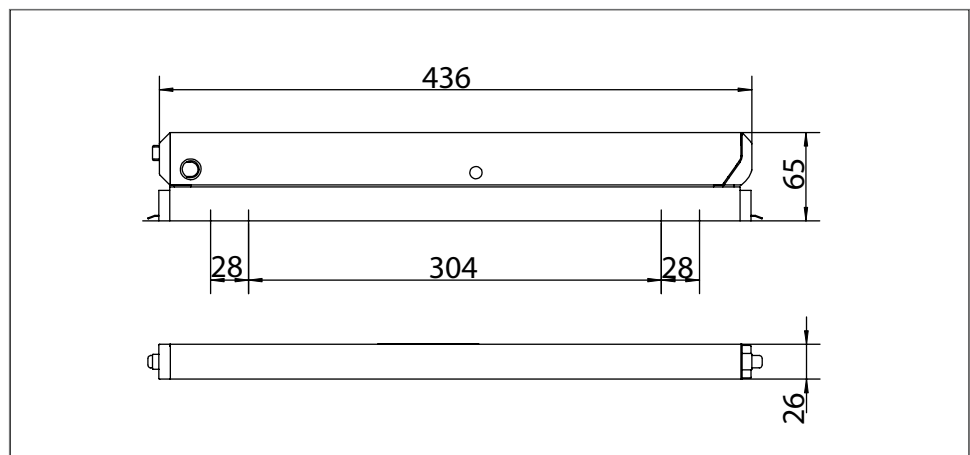
The OL 90 N top-hung, outward-opening achieves the full opening width of 170 mm with all casement heights. The flat design of the scissor stay and the rod assembly require little space below and to the side of the window casement. Completely preassembled assembly groups make installation easier. The scissor stays and the rod can be installed from the front. Rebate inaccuracies are automatically levelled out by an adjustable pressure setting. Fastening screws are not visible, the clear lines of the OL 90 N top-hung, outward-opening therefore remain uninterrupted.

The lock in the scissor stay ensures secure casement locking.

The easy unhooking of the scissor stay with the help of the release button enables the windows to be cleaned from the inside and outside.

This fanlight opener has an SKG certified, burglary resistant lock.

GEZE OL 90 N Top-hung, outward-opening



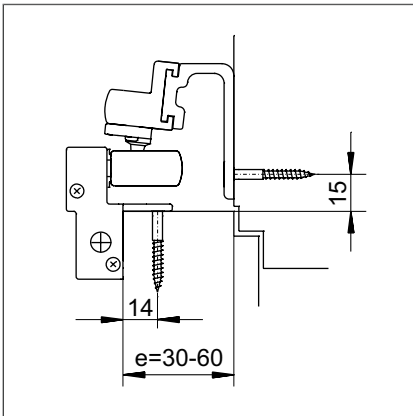
Area of application

- For vertically installed top-hung casements, outward-opening, made of wood, plastic or metal
- Suitable for reveal depths of 0 - 60 mm
- Can be operated from the left and right
- Operation possible by means of hand lever, crank rod or electric linear drive

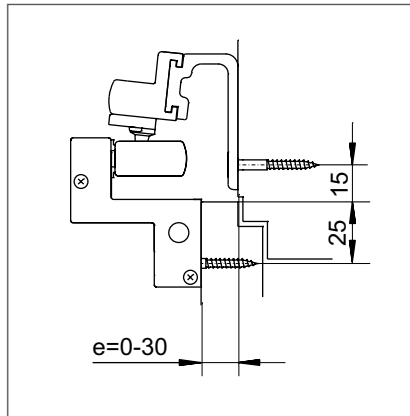
GEZE SLIMLINE FANLIGHT OPENERS

Product features	GEZE OL 90 N Top-hung, outward-opening
Opening width (max.)	170 mm
Casement width (min.)	600 mm
Casement height (min.)	370 mm
Casement weight (max.)	80 kg
Length	242 mm
Depth	49 mm
Height	16 mm
Functions	
Adjustable opening width (stroke reduction)	●
Casement lock integrated in the scissor stay	●
Scissor stay unhooked by release button	●
Burglary resistant lock (SKG)	●
Lockable	○
Unhinging inhibitor	○
● = Yes	
○ = No	

OL 90 N top-hung, outward-opening - installation drawings



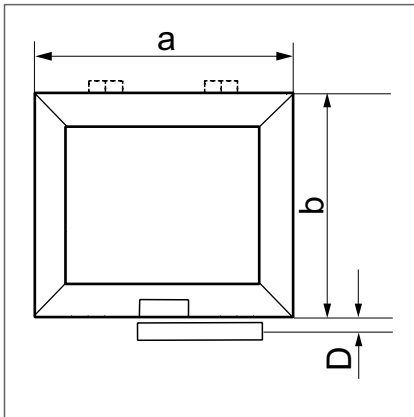
OL 90 N top-hung, outward-opening on wooden windows, Euro-groove, reveal depth 30-60 mm



OL 90 N top-hung, outward-opening on wooden windows, Euro-groove, reveal depth 0-30 mm

e = reveal depth

OL 90 N top-hung, outward-opening installation drawing for rectangular windows



Limits of use

Number of scissor stays	Casement width a (min.)	Casement width a (max.)	Casement height b (min.)	Casement weight (max.)	Panel weight (max.)
1	600 mm	1 000 mm	370 mm	80 kg	30 kg/m ²
	1 001 mm	1 200 mm			
2	1 201 mm	1 500 mm			
	1 501 mm	2 400 mm			

GEZE OL 90 N Top-hung, outward-opening rectangular windows



GEZE SLIMLINE FANLIGHT OPENERS

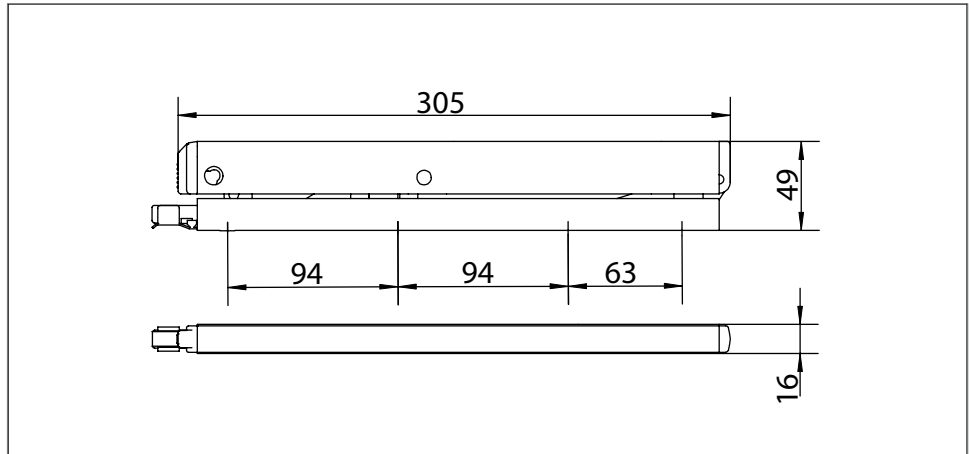
GEZE OL 95

Surface-mounted slimline fanlight opener for rectangular windows with an opening width of 220 mm



The OL 95 achieves the full opening width of 220 mm with all casement heights. The flat design of the scissor stay and the rod assembly require little space above and to the side of the window casement. Thanks to its low construction height it can be inconspicuously installed in post/rail (stick) constructions. Completely preassembled assembly groups make installation easier. The scissor stays and the rod can be installed from the front. Rebate inaccuracies are automatically levelled out by an adjustable pressure setting. Fastening screws are not visible, the clear lines of the OL 95 therefore remain uninterrupted. The lock in the scissor stay ensures secure casement locking. The easy unhooking of the scissor stay with the help of the release button enables the windows to be cleaned from the inside and outside. The GEZE OL 95 fulfils the extensive requirements of the RAL quality protection targets and the high RAL quality level.

GEZE OL 95



Area of application

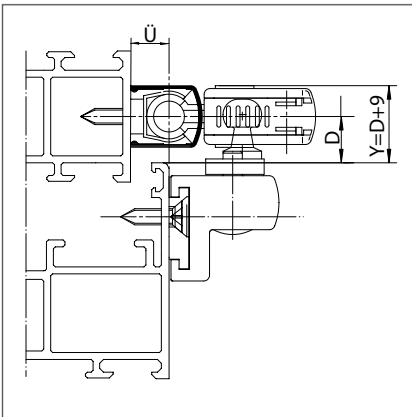
- Primarily used in post/rail (stick) constructions
- For vertically installed bottom-hung, top-hung, side-hung and horizontally pivot-hung casements, inward-opening, made of wood, plastic or metal
- Suitable for overlap heights of 0-25 mm
- Leaf weights of up to 60 kg

GEZE SLIMLINE FANLIGHT OPENERS

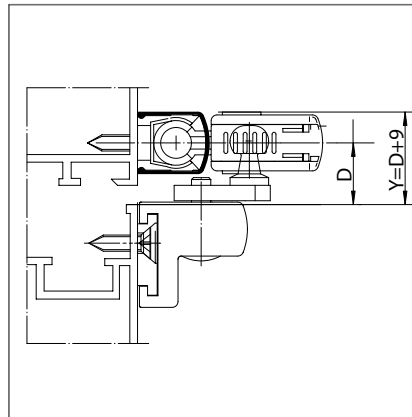
Product features	GEZE OL 95
Opening width (max.)	220 mm
Casement width (min.)	440 mm
Casement height (min.)	350 mm
Casement weight (max.)	60 kg
Fitting stroke	54 mm
Length	305 mm
Depth	49 mm
Height	16 mm
Functions	
Adjustable opening width (stroke reduction)	●
Casement lock integrated in the scissor stay	●
Scissor stay unhooked by release button	●
Burglary resistant lock (SKG)	○
Lockable	●
Unhinging inhibitor	●

● = Yes
○ = No

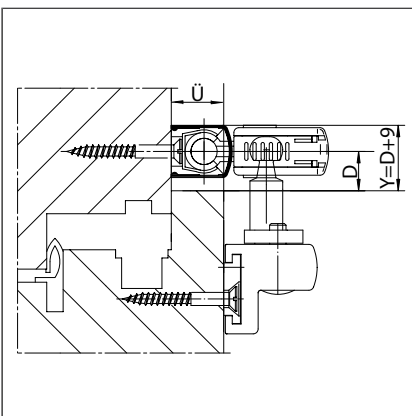
OL 95 installation drawings for rectangular windows



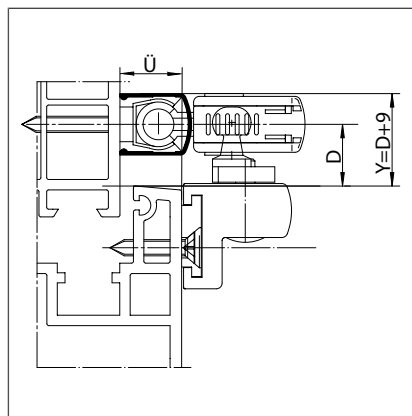
GEZE OL 95 on light alloy window with overlap



GEZE OL 95 on light alloy window, flush-closing



GEZE OL 95 on wooden window, Euro-groove



GEZE OL 95 on plastic window

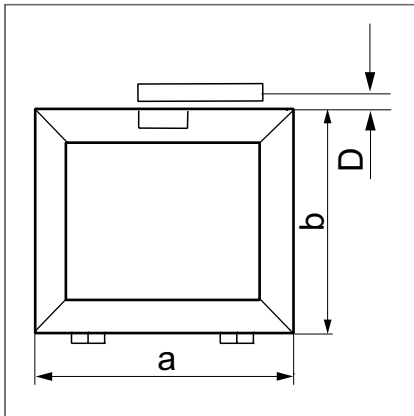
D = Distance between outer edge of casement and middle of rod

Y = Upper space requirement

Ü = Overlap height

GEZE SLIMLINE FANLIGHT OPENERS

OL 95 installation drawing for rectangular windows



Limits of use

Number of scissor stays	Casement width a (min.)	Casement width a (max.)	Casement height b (min.)	Casement weight (max.)	Panel weight (max.)
1	440 mm	1 200 mm			
2	1 201 mm	2 400 mm	350 mm	60 kg	30 kg/m ²
3	2 401 mm	3 600 mm			25 kg/m ²

Adjustable dimensions and space requirement

Casement height b (min.)	Casement height b (max.)	Adjustable dimension D (min.) top	Space requirement Y, top
350 mm	400 mm	18 mm	
401 mm	450 mm	16–18 mm	D(min) + 9 mm
451 mm	600 mm	14–18 mm	
601 mm	601 mm	12–18 mm	

GEZE OL 95 Rectangular window



Order information

Description	Version	ID No.
GEZE OL 90 N scissor stay with standard casement bracket	EV1	030373
	dark bronze	030374
	white RAL 9016	030377
	black	074509
	to RAL	030376
GEZE OL 90 N scissor stay lockable, with casement bracket	EV1	029183
	dark bronze	029184
	white RAL 9016	029187
	to RAL	029186
GEZE OL 90 N scissor stay with sliding casement bracket	EV1	030596
	dark bronze	030597
	white RAL 9016	030600
	black	074511
GEZE OL 90 N scissor stay without casement bracket	EV1	071203
	dark bronze	071204
	white RAL 9016	071207
	black	099477
GEZE OL 90 N scissor stay with unhinging inhibitor and casement bracket	EV1	030498
	dark bronze	030499
	white RAL 9016	030502
	to RAL	030501
GEZE OL 90 N scissor stay for top-hung, outward-opening casements, left, reveal depth 0-30 mm, with casement bracket	EV1	118060
	white RAL 9016	118081
	to RAL	118082
GEZE OL 90 N scissor stay for top-hung, outward-opening casements, right, reveal depth 0-30 mm, with casement bracket	EV1	117700
	white RAL 9016	117771
	to RAL	117772
GEZE OL 90 N scissor stay for top-hung, outward-opening casements, left, reveal depth 30-60 mm, with casement bracket	EV1	118083
	white RAL 9016	118084
	to RAL	118085
GEZE OL 90 N Scissor stay for top-hung, outward-opening casements, right, reveal depth 30-60 mm, with casement bracket	EV1	117773
	white RAL 9016	117774
	to RAL	117775
GEZE OL 95 scissor stay with standard casement bracket	EV1	082445
	white RAL 9016	082448
	to RAL	082449
GEZE OL 95 scissor stay without casement bracket	EV1	084194
	dark bronze	084195
	white RAL 9016	084197
	black	084198
GEZE OL 95 scissor stay with unhinging inhibitor and casement bracket	EV1	082638
	dark bronze	082639
	white RAL 9016	082641
	to RAL	082643

GEZE SLIMLINE FANLIGHT OPENERS

Order information

Description	Version	ID No.
Installation materials		
Cover profile OL 90 Length 2000 mm Available from stock Fixpack (25)	EV1	030401
	dark bronze	030402
	white RAL 9016	030405
	black	074537
	to RAL	030404
Cover profile OL 90 Length 3000 mm Available from stock Fixpack (25)	EV1	030396
	dark bronze	030397
	white RAL 9016	030400
	black	074539
	to RAL	030399
Cover profile OL 90 Length 6000 mm Available from stock Fixpack (25)	LM raw	027556
	EV1	027558
	dark bronze	027559
	white RAL 9016	027561
	black	074540
Rod Ø 8 mm Available from stock Fixpack (25)	L=2000 mm galvanised	016555
	L=3000 mm galvanised	016591
	L=6000 mm galvanised	016592
Drilling template For wooden windows		054799
Drilling template For metal and plastic windows		054800
Drilling template for 2-scissor stay arched window F45		071861
Accessories for multi-part drilling template		020477
Additional drilling template for Euro-groove casement bracket		028141
Rod guide Pack of 10		010878
Pull-rod guide and connector plate	dark bronze	002750
	galvanised	002747
Rod coupling for rod 8 mm	galvanised	043546

GEZE SLIMLINE FANLIGHT OPENERS

Order information

Description	Version	ID No.
Accessories		
Standard casement bracket suitable for OL 90 N / OL 95	silver	074424
	dark bronze	074425
	white RAL 9016	074428
	black	080228
	to RAL	074427
Standard casement bracket for wooden windows with Euro-groove suitable for OL 90 N	silver	030886
	dark bronze	030887
	white RAL 9016	030890
	black	099475
	to RAL	030889
Sliding casement bracket suitable for OL 90 N / OL 95 on special window shapes	silver	084398
	dark bronze	084399
	white RAL 9016	084401
	black	084402
	to RAL	084403
Sliding casement bracket suitable for OL 90 N / OL 95 on wooden windows with Euro-groove	silver	071198
	dark bronze	071199
	white RAL 9016	071202
	black	099476
	to RAL	071201
Additional lock for OL 90 N / OL 95 For projection height 0 - 17 mm	EV1	030519
	dark bronze	030520
	white RAL 9016	030523
	to RAL	030522
Additional lock for OL 90 N / OL 95 For projection height 14 - 25 mm	EV1	030524
	dark bronze	030525
	white RAL 9016	030528
	to RAL	030527

GEZE SLIMLINE FANLIGHT OPENERS

Order information

Description	Version	ID No.
Removable crank rod, with angled crank Cut to size, per m	EV1	077434
	dark bronze	108478
	white RAL 9016	108480
	to RAL	108491
Removable crank rod, with angled crank Extended length 1400 mm	EV1	050856
	dark bronze	057589
	white RAL 9016	015879
	to RAL	015987
Fixed crank rod, with angled crank, with crank rod holder Cut to size	EV1	077433
	dark bronze	108474
	white RAL 9016	108476
	to RAL	108477
Fixed crank rod, with angled crank, with crank rod holder Extended length 1400 mm	EV1	050857
	dark bronze	050858
	white RAL 9016	015864
	to RAL	015986
Angled crank Fz45/32	brown	056952
	silver	056951
	white RAL 9016	014795
	EV1	053262
Crank rod for DIY installation Connection tube for crank rod, length 6000 mm	dark bronze	053263
	white RAL 9016	014706
	to RAL	015982
Connection tube for crank rod, length 6000 mm	EV1	030391
	dark bronze	030392
	white RAL 9016	030395
	to RAL	030394
Accessories for hand lever, swivelling suitable for OL 90 N / OL 95	EV1	030611
	dark bronze	030612
	white RAL 9016	030615
	black	077945
Hand lever with corner transmission suitable for OL 90 N / OL 95	to RAL	030614
	EV1	026882
	dark bronze	026884
	white RAL 9016	026887
Hand lever suitable for OL 90 N / OL 95	black	079113
	to RAL	026886
	EV1	083841
	dark bronze	083842
Hand lever, lockable suitable for OL 90 N / OL 95	white RAL 9016	083844
	to RAL	085230
	EV1	076911
	dark bronze	076912
Hand lever with flexible corner transmission for special window shapes suitable for OL 90 N / OL 95	white RAL 9016	076915
	black	080227
	to RAL	076916

GEZE SLIMLINE FANLIGHT OPENERS

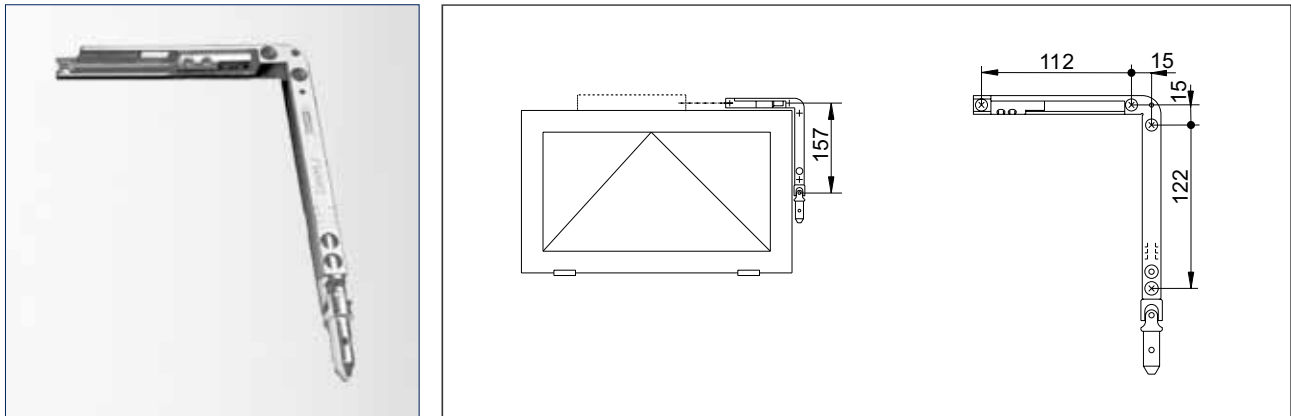
Order information

Description	Version	ID No.
GEZE corner operating gear Fz 90	galvanised	030809
Corner transmission with integrated gear, without crank rod, without crank, left version	black	030810
GEZE corner operating gear Fz 90	galvanised	030811
Corner transmission with integrated gear, without crank rod, without crank, right version	black	030812
GEZE vertical gear Fz 91	galvanised	030817
With accessories for vertical installation, with corner transmission, without crank rod, without crank	black	030818
GEZE vertical gear Fz 91	galvanised	030822
With accessories for vertical installation, without corner transmission, without crank rod, without crank	black	030823
GEZE gear Fz 92	silver	030777
With accessories for horizontal and angular installation, without crank rod, without crank	dark bronze	030778
Corner transmission flexible for special window shapes	galvanised	071354
Corner transmission	galvanised	070546
Pillar/frame transmission Gr. 75	EV1	030744
	dark bronze	030745
	white RAL 9016	030748
	to RAL	030747
Pillar/frame transmission Gr. 150	EV1	030749
	dark bronze	030750
	white RAL 9016	030753
	to RAL	030752
Transmission for corner bracket or hinge	EV1	030902
	dark bronze	030903
	white RAL 9016	030906
	black	074510
	to RAL	030905
Flexible rod without accessories Pull length = 700 mm	brown	008481
	EV1 + white RAL 9016	022718
Flexible rod without accessories Pull length = 1000 mm	EV1 + white RAL 9016	022720
	brown	008483
Flexible rod without accessories Pull length = 1250 mm	EV1 + white RAL 9016	022721
	brown	008485
Flexible rod without accessories Pull length 350 to 3000 mm Special length cut to size	brown	072131
	EV1 + white RAL 9016	072130
Accessories for flexible rod (special window shapes)	EV1 + white RAL 9016	030862
Corner guide for flexible rod for angular or segmental arch windows	EV1 + white RAL 9016	030764
Guide for flexible rod	EV1 + white RAL 9016	022791

GEZE SLIMLINE FANLIGHT OPENERS

GEZE corner operating gear Fz 90

The corner transmission with integrated gear can be used for fixed and removable crank rods. The crank operation enables convenient operation and intermediate ventilation positions. It is used on vertically installed, inward-opening rectangular windows with bottom-hung or top-hung casements. The corner operating gear Fz 90 can be used on narrow window casements from a width of 380 mm.



Rectangular window with GEZE Fz 90

Technical data

Product features	GEZE corner operating gear Fz 90
Width	16 mm
Stroke	54 mm
Cross-bar diameter (rod connector)	8 mm
Crank revolutions up to max. opening	9
Optional stroke limitation	•
Fully covered by profile	•
Optional: Adjustable overload protection (set to 7 Nm in factory)	•

• = Yes

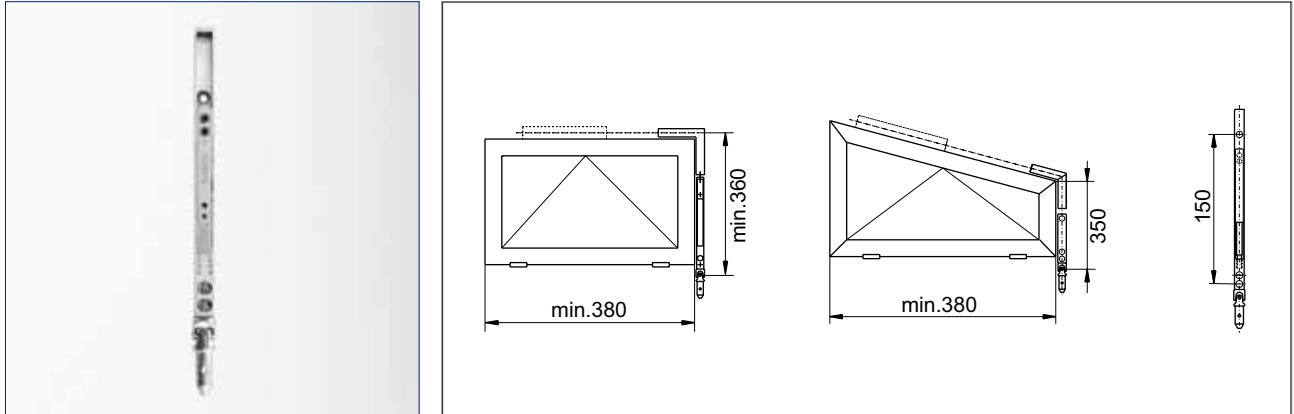
Description

Description	Version	ID No.
GEZE corner operating gear Fz 90	galvanised	030809
Corner transmission with integrated gear, without crank rod, without crank, left version	black	030810
GEZE corner operating gear Fz 90	galvanised	030811
Corner transmission with integrated gear, without crank rod, without crank, right version	black	030812

GEZE SLIMLINE FANLIGHT OPENERS

GEZE vertical gear Fz 91

This gear can be used for fixed and removable crank rods, left and right. The crank operation enables convenient operation and intermediate ventilation positions. It is used on vertically installed, inward-opening rectangular windows with bottom-hung or top-hung casements and on angular windows in conjunction with a flexible corner bracket.



Rectangular and angular windows with GEZE Fz 91

Technical data

Product features	GEZE vertical gear Fz 91
Width	16 mm
Stroke	54 mm
Pull-bar diameter (rod connector)	8 mm
Crank revolutions up to max. opening	9
Optional stroke limitation	•
Fully covered by profile	•
Optional: Adjustable overload protection (set to 7 Nm in factory)	•

• = Yes

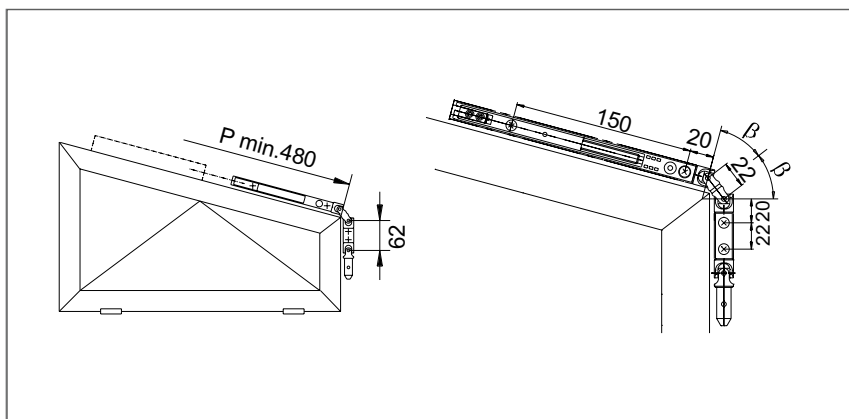
Description

Description	Version	ID No.
GEZE vertical gear Fz 91	galvanised	030822
With accessories for vertical installation, without corner transmission, without crank rod, without crank	black	030823

GEZE SLIMLINE FANLIGHT OPENERS

GEZE gear Fz 92

This gear can be used for fixed and removable crank rods, left and right. The crank makes operation easy and enables intermediate ventilation positions. It is used on vertically installed angular and triangular windows; it can also be used as a horizontal gear for rectangular windows.



Angular window with Fz 92

Technical data	
Product features	GEZE gear Fz 92
Width	16 mm
Stroke	54 mm
Cross-bar diameter (rod connector)	8 mm
Crank revolutions up to max. opening	9
Deflection angle	90°–160°
Optional stroke limitation	•
Fully covered by profile	•
Optional: Adjustable overload protection (set to 7 Nm in factory)	•

• = Yes

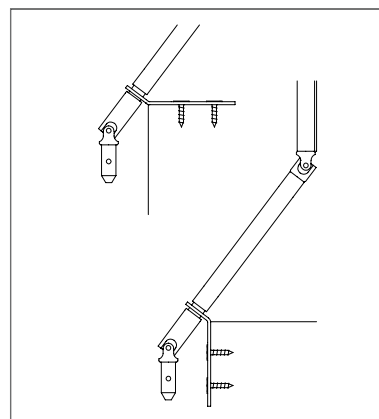
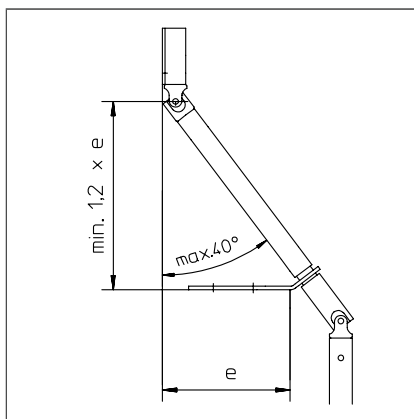
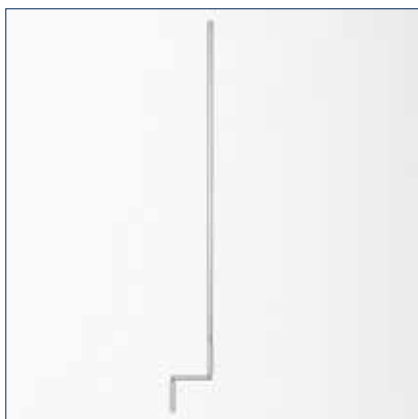
Description	Version	ID No.
GEZE gear Fz 92	silver	030777
With accessories for horizontal and angular installation, without crank rod, without crank	dark bronze	030778

GEZE SLIMLINE FANLIGHT OPENERS

Fixed crank rod

Crank rods enable flexible and convenient operation of windows.

The pivoting bearing is a flexible, galvanised or black, steel angle bracket and can be adapted to different tilt angles. It can be installed on the reveal, in front of the reveal or at the side in the reveal. The crank rod sits at a distance of 25 mm from the wall.



Installation drawing - pivoting bearing, fixed crank rod
e = reveal depth

Pivot bearing for gear and crank rods

Technical data	
Product feature	Fixed crank rod, with angled crank, with crank rod holder
Diameter	15 mm

Description	Version	ID No.
Fixed crank rod, with angled crank, with crank rod holder Cut to size	EV1	077433
	dark bronze	108474
	white RAL 9016	108476
	to RAL	108477

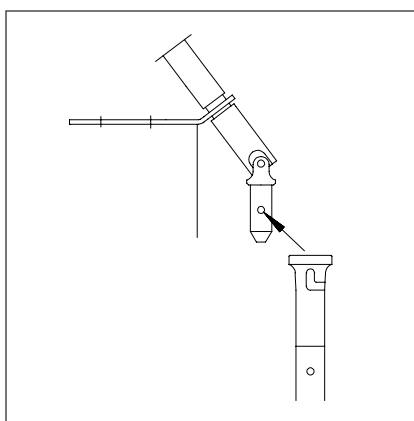
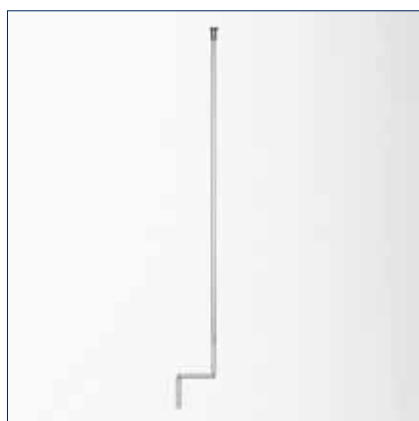
Description	Version	ID No.
Fixed crank rod, with angled crank, with crank rod holder Extended length 1400 mm	EV1	050857
	dark bronze	050858
	white RAL 9016	015864
	to RAL	015986

GEZE SLIMLINE FANLIGHT OPENERS

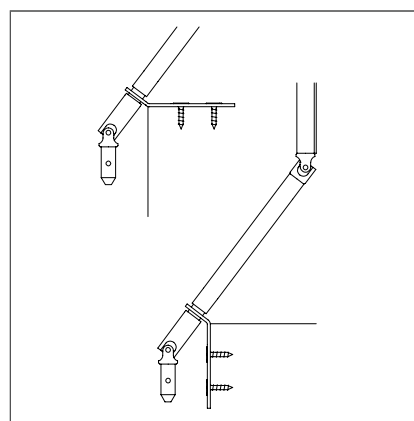
Removable crank rod

Crank rods enable flexible and convenient operation of windows.

The pivoting bearing is a flexible, galvanised or black, steel angle bracket and can be adapted to different tilt angles. It can be installed on the reveal, in front of the reveal or at the side in the reveal. The crank rod sits at a distance of 25 mm from the wall.



Installation drawing - pivoting bearing, removable crank rod



Pivot bearing for gear and crank rods

Technical data

Product feature	Removable crank rod, with angled crank
Diameter	15 mm

Description

Description	Version	ID No.
Removable crank rod, with angled crank Cut to size	EV1	077434
	dark bronze	108478
	white RAL 9016	108480
	to RAL	108491

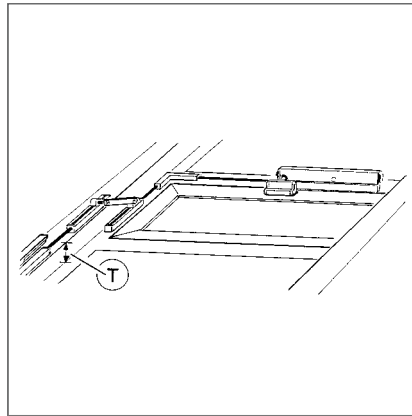
Description

Description	Version	ID No.
Removable crank rod, with angled crank Extended length 1400 mm	EV1	050856
	dark bronze	057589
	white RAL 9016	015879
	to RAL	015987

GEZE SLIMLINE FANLIGHT OPENERS

Pillar/frame transmission

The pillar/frame transmission can be used on vertically installed bottom-hung casements made of wood, plastic or metal with projection heights of 0-25 mm. The max. casement weight is 80 kg. It can be operated using a hand lever, gear Fz 91 or an electric motor. The pillar projection is bridged by a linkage bracket, see Figure.



Transmission with pull rod
T = Projection between post or rail and window frame

Technical data

Product features	Pillar/frame transmission
Pillar and rail projection Size 75	T = 0–75 mm
Pillar and rail projection Size 150	T = 0–150 mm

Description

Description	Version	ID No.
Pillar/frame transmission size 75	EV1	030744
	dark bronze	030745
	white RAL 9016	030748
	to RAL	030747

Description

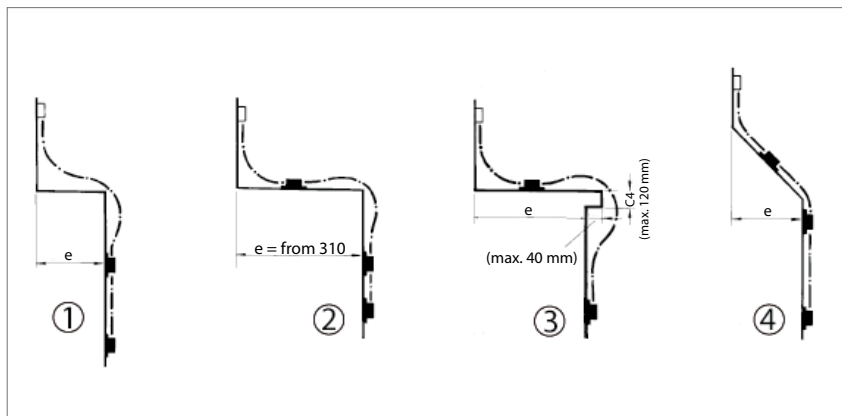
Description	Version	ID No.
Pillar/frame transmission size 150	EV1	030749
	dark bronze	030750
	white RAL 9016	030753
	to RAL	030752

GEZE SLIMLINE FANLIGHT OPENERS

Flexible rod

Window sill transmission with flexible rod for transmission onto different levels. The window sill transmission for the fanlight opener is simple and adaptable. Installation is fast and easy, the guide is visually attractive.

Note: The flexible window sill transmission is only suitable for a casement up to 1200 mm.



Transmission with pull rod

- 1 = window sill with reveal depth $e =$ up to 310 mm (pull length 700 mm)
- 2 = window sill with reveal depth $e =$ over 310 mm (pull length 700 mm up to $e = 380$ mm)
/(pull length 1000 mm up to $e = 680$ mm)
- 3 = window sill with reveal projection (pull length 700 mm up to $e + e1 = 310$ mm)
/(pull length 1000 mm up to $e + e1 = 610$ mm)
- 4 = angular window sill (pull length 700 mm up to $e = 380$ mm)/(pull length 1000 mm up to $e = 680$ mm)
- $e =$ reveal depth

Technical data

Product features	Flexible rod without accessories
Pull length 700 mm	$e = 0-350$ mm
Pull length 1000 mm	$e = 0-650$ mm
Pull length 1250 mm	

Description	Version	ID No.
Flexible rod without accessories Pull length = 700 mm	EV1 + white RAL 9016	022718
	brown	008481

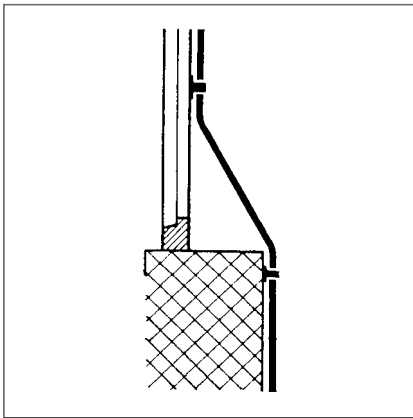
Description	Version	ID No.
Flexible rod without accessories Pull length = 1000 mm	EV1 + white RAL 9016	022720
	brown	008483

Description	Version	ID No.
Flexible rod without accessories Pull length = 1250 mm	EV1 + white RAL 9016	022721
	brown	008485

Description	Version	ID No.
Accessories for flexible transmission including connector plates	EV1 + white RAL 9016	030798
	brown	030797

Cranked rod

The cranked rod is used for reveal depths up to approx. 150 mm.



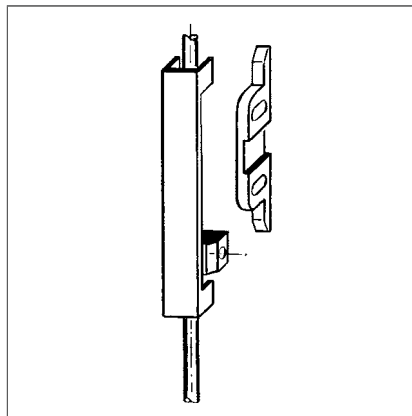
Transmission with cranked rod

Description	Version	ID No.
Pull rod Ø 10 mm, Length 2000 mm	galvanised	004892
Additional packing for cranked rod Ø 10 mm	galvanised	058124

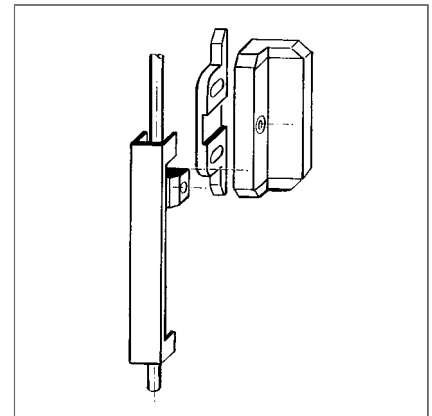
Additional locks for OL 90 N / OL 95



Projection height 14-25 mm



Projection height 14-25 mm



Projection height 0-17 mm

Description	Version	ID No.
Additional lock for OL 90 N / OL 95 For projection height 0 - 17 mm	EV1	030519
	dark bronze	030520
	white RAL 9016	030523
	to RAL	030522

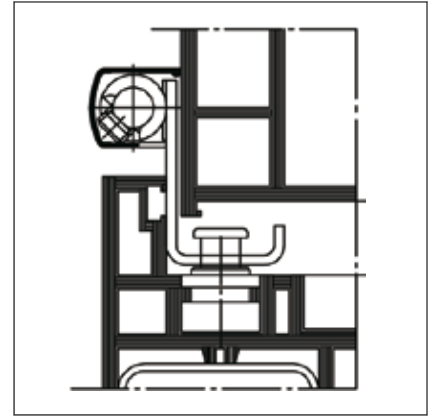
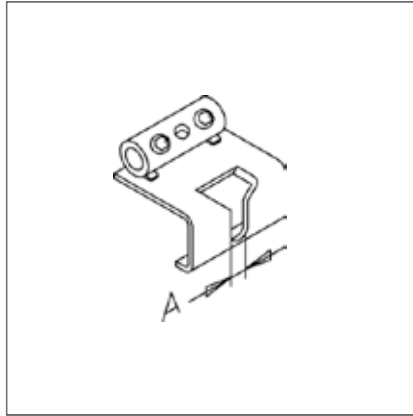
Description	Version	ID No.
Additional lock for OL 90 N / OL 95 For projection height 14 - 25 mm	EV1	030524
	dark bronze	030525
	white RAL 9016	030528
	to RAL	030527

GEZE SLIMLINE FANLIGHT OPENERS

Concealed lock OL 90 N / OL 95

The GEZE lock carrier ensures tightness and security over the whole locked surface and is burglary resistant. The carrier is used for standard central locks (concealed locks) and is easy to clamp.

The carrier is designed to match the profile and fitting. Used in conjunction with a central lock on site, all-round locking of the casement is possible.



A = diameter of different locking bolts

Description	Version	ID No.
Lock carrier for OL 90 N For concealed locks with coupling OL 90 N	A=8,5 mm	024953
	A=11,5 mm	029722
	A=15,5 mm	030294

GEZE SLIMLINE FANLIGHT OPENERS

GEZE OL 320

Surface-mounted slimline fanlight opener for rectangular windows with an opening width of 320 mm

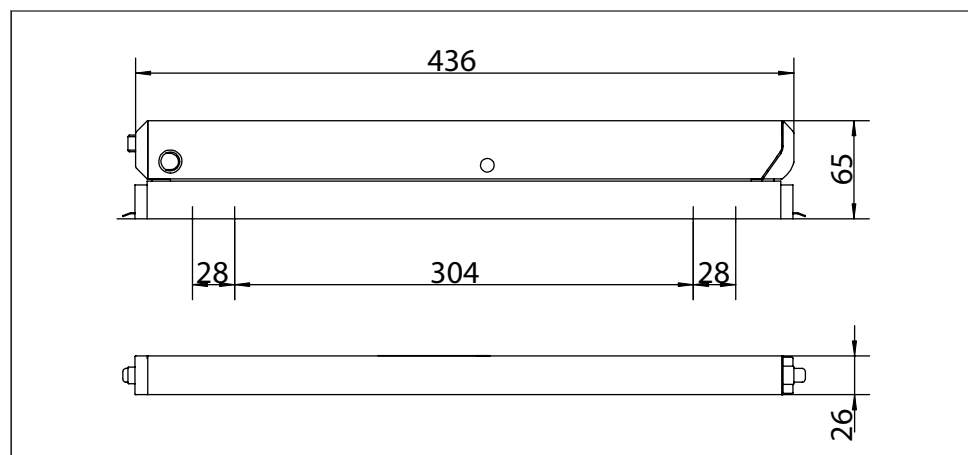


The OL 320 is suitable for heavy window casements (up to max. 250 kg). The flat design of the scissor stay and the rod assembly require little space above and to the side of the window casement. The façade elevation remains unchanged.

The locking of the opening system in the scissor stay ensures secure locking of the casement. The result is increased tightness and burglary protection of the window.

The connection between the scissor stay and casement bracket can be easily and conveniently released using the safety button. The window can therefore be effortlessly cleaned from the inside and outside. The casement can be rehung just as conveniently, because the scissor stay and casement bracket are connected by a ball-type coupling. The safety button indicates correct latching of the scissor stay in the ball head of the casement bracket.

GEZE OL 320



Area of application

- For vertically installed bottom-hung, top-hung, side-hung and horizontally pivot-hung casements, inward-opening, made of wood, plastic or metal
- Can be used on the left and right
- Suitable for overlap heights of 0-25 mm
- Leaf weights of up to 250 kg

GEZE SLIMLINE FANLIGHT OPENERS

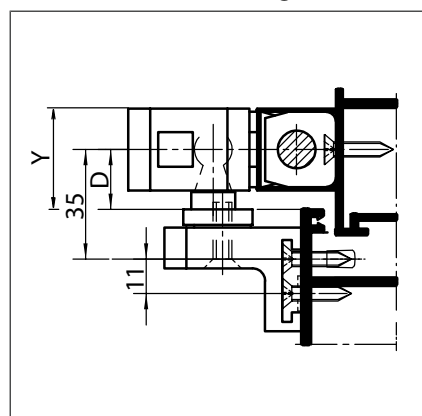
GEZE OL 90 N
/OL 95/OL320

Manual Fanlight
Opener Systems

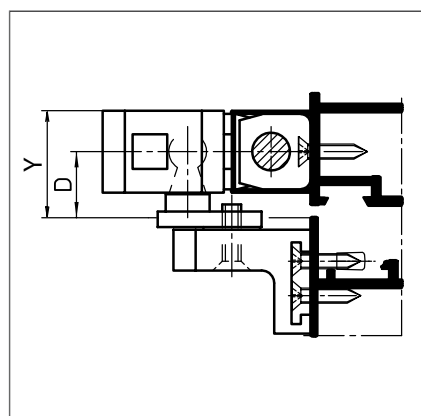
Product features	GEZE OL 320
Opening width (max.)	320 mm
Casement width (min.)	680 mm
Casement height (min.)	400 mm
Casement weight (max.)	250 kg
Length	436 mm
Depth	65 mm
Height	26 mm
Functions	
Adjustable opening width (stroke reduction)	●
Casement lock integrated in the scissor stay	●
Scissor stay unhooked by release button	●
Burglary resistant lock (SKG)	○
Lockable	○
Unhinging inhibitor	●

● = Yes ○ = No

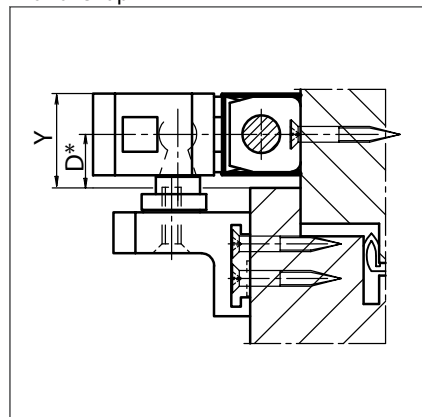
OL 320 installation drawings



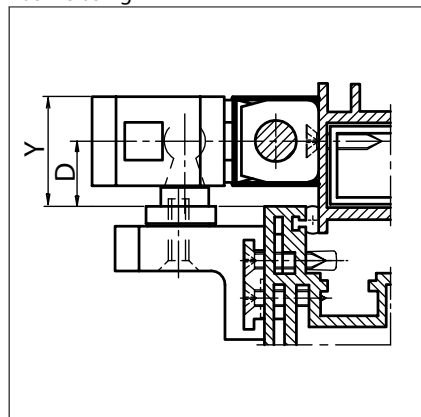
GEZE OL 320 on light alloy window with overlap



GEZE OL 320 on light alloy window, flush-closing



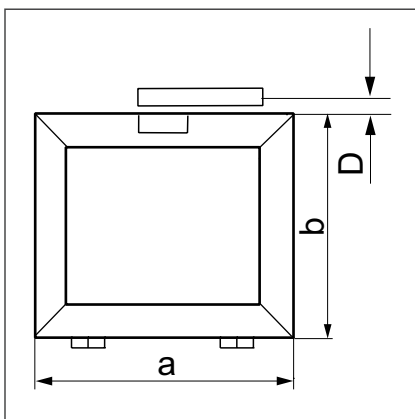
GEZE OL 320 on wooden window



GEZE OL 320 on plastic window

D = Distance between outer edge of casement and middle of rod
 D* = Distance between outer edge of casement and middle of rod (preferably 17 mm)
 Y = Upper space requirement

OL 320 installation drawing for rectangular windows



Limits of use

Number of scissor stays	Casement width a (min.)	Casement width a (max.)	Casement height b (min.)	Casement weight (max.)
1	680 mm	1 200 mm		
2	1 201 mm	2 400 mm	400 mm	250 kg
3	2 401 mm	3 600 mm		

Adjustable dimensions and space requirement

Casement height b (min.)	Casement height b (max.)	Adjustable dimension D (min.) top	Space requirement Y, top
	400 mm	23 mm	34 mm
401 mm	450 mm	21–23 mm	
451 mm	600 mm	19–23 mm	D(min) + 13
601 mm		17–23 mm	

GEZE OL 320



GEZE SLIMLINE FANLIGHT OPENERS

Order information

Description	Version	ID No.
GEZE OL 320 with unhinging inhibitor and sliding casement bracket	EV1	131288
	white RAL 9016	131289
	to RAL	131290
GEZE OL 320 with sliding casement bracket	EV1	128211
	white RAL 9016	128212
	to RAL	128213
Installation materials		
Drilling template for wood		137150
Drilling template for metal and plastic		137152
Rod guide		058653
Connection rod Length 168 mm	galvanised	059728
Connection rod For casement widths up to 1200 mm (1 scissor stay), length 820 mm	galvanised	059726
Connection rod For casement widths up to 2400 mm (2 scissor stays), length 2000 mm	galvanised	059727
Rod Ø 12 mm Available from stock Fixpack (25)	galvanised	053198
	galvanised	053199
	galvanised	054116
Corner bracket cover OL 320	EV1	012560
	white RAL 9016	018245
	to RAL	015459
Cover profile OL 320 Length 2000 mm	EV1	058771
	white RAL 9016	018293
	to RAL	014258
Cover profile OL 320 Length 3000 mm	EV1	058774
	white RAL 9016	018294
	to RAL	014259
Cover profile OL 320 Length 6000 mm	EV1	058630
	white RAL 9016	018251
	to RAL	013814
Additional packing, end cover (for end of scissor stay)	EV1	058633
	white RAL 9016	018254
	to RAL	013816
Additional angle for overlap height 0-12 mm	EV1	050727
	white RAL 9016	015519
	to RAL	013077

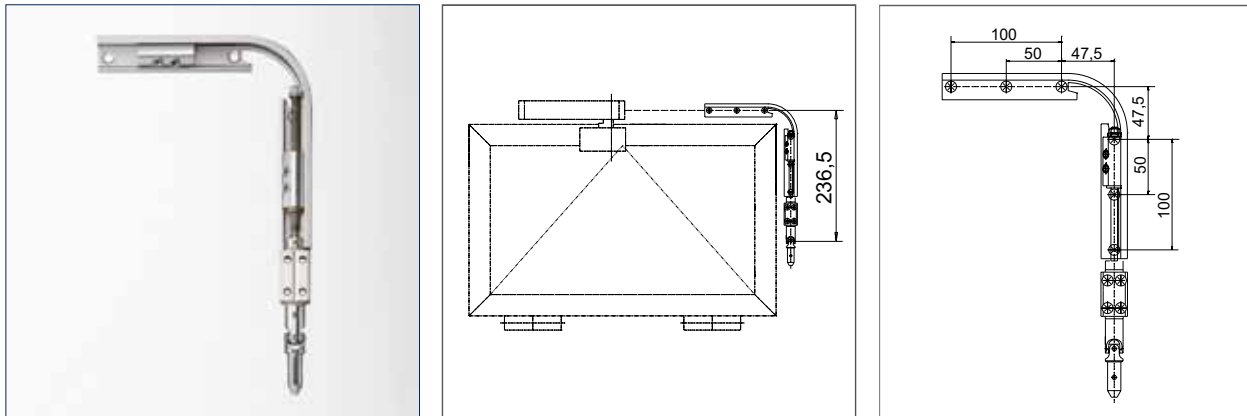
Order information

Description	Version	ID No.
Additional lock for OL 320 without additional angle, overlap height 12-25 mm	EV1	063974
	white	018257
	to RAL	013080
Lock carrier for OL 320 Aluminium windows	8.5 mm	024954
	11.5 mm	029717
Lock carrier for OL 320 Wood and plastic windows	8.5 mm	029855
	11.5 mm	029856
	15.5 mm	030295
Lock carrier for OL 320 Light alloy windows	8.5 mm	028905
Accessories		
Standard casement bracket suitable for OL 320 with back plate, short	EV1	139179
	white RAL 9016	139180
	to RAL	139211
Hand lever Stroke 42 mm, for opening widths up to approx. 220 mm suitable for OL 320	EV1	131658
	white RAL 9016	131659
	to RAL	131660
Hand lever Stroke 70 mm, for opening widths up to approx. 320 mm suitable for OL 320	EV1	131652
	white RAL 9016	131653
	to RAL	131654
Hand lever Stroke 70 mm, with corner transmission suitable for OL 320	EV1	131610
	white RAL 9016	131611
	to RAL	131612
GEZE corner operating gear Fz 100 Without crank rod, without crank		018194
GEZE vertical gear Fz 101 Without crank rod, without crank		018196

GEZE SLIMLINE FANLIGHT OPENERS

GEZE corner operating gear Fz 100

The corner transmission with integrated gear for fixed and removable crank bars ensures ease of use and enables intermediate ventilation positions. The corner operating gear can be used on the left and right on vertically installed, inward-opening bottom-hung casements. It can be used on rectangular windows and, thanks to the flexible corner transmission, it can also be used on angular windows.



Rectangular window with GEZE Fz 100

Technical data

Product features	GEZE corner operating gear Fz 100
Width	26 mm
Stroke	70 mm
Cross-bar diameter (rod connector)	12 mm
Crank revolutions up to max. opening	10
Optional stroke limitation	•
Fully covered by profile	•
Optional: Adjustable overload protection (set to 7 Nm in factory)	•

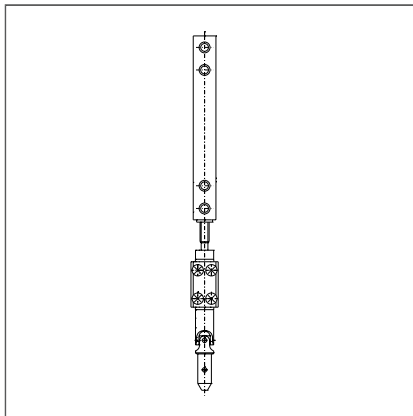
• = Yes

Description	ID No.
GEZE corner operating gear Fz 100 Without crank rod, without crank	018194

GEZE SLIMLINE FANLIGHT OPENERS

GEZE vertical gear Fz 101

The corner operating gear for fixed and removable crank rods can be used on the left and right on vertically installed, inward-opening bottom-hung casements. The crank makes operation easy and enables intermediate ventilation positions. It can be used on rectangular windows and, thanks to the flexible corner transmission, it can also be used on angular windows.



Technical data

Product features	GEZE corner operating gear Fz 101
Width	26 mm
Stroke	70 mm
Cross-bar diameter (rod connector)	12 mm
Crank revolutions up to max. opening	10
Optional stroke limitation	•
Fully covered by profile	•
Optional: Adjustable overload protection (set to 7 Nm in factory)	•

• = Yes

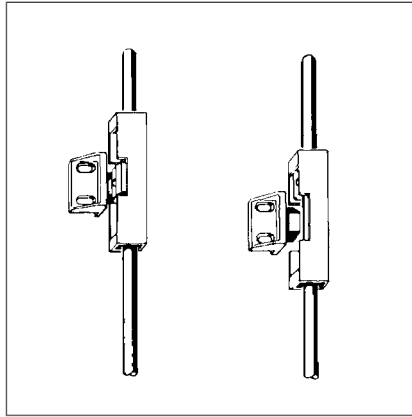
Description

Description	ID No.
GEZE vertical gear Fz 101	
Without crank rod, without crank	018196

GEZE SLIMLINE FANLIGHT OPENERS

Additional lock OL 320

A corner transmission is also required if used on the opposite side to the hand lever.



Description	Version	ID No.
Additional lock for OL 320	EV1	063974
without additional angle, overlap height 12-25 mm	white	018257
	to RAL	013080

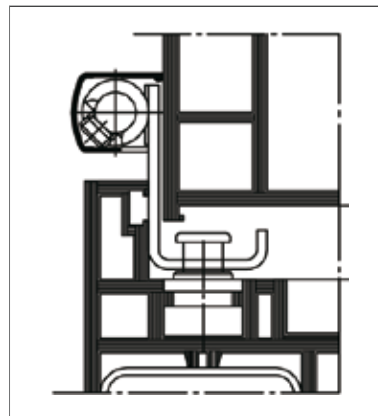
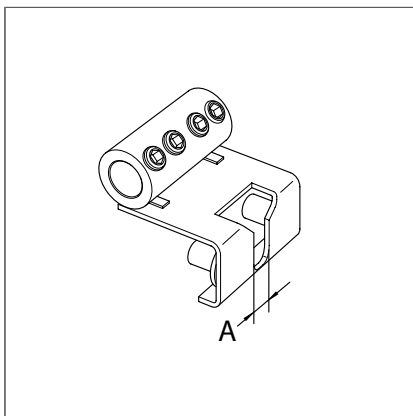
GEZE SLIMLINE FANLIGHT OPENERS

Concealed lock OL 320

The GEZE lock carrier ensures tightness and security over the whole locked surface and is burglary resistant.

The carrier is used for standard central locks (concealed locks) and is easy to clamp.

The carrier is designed to match the profile and fitting. Used in conjunction with a central lock on site, all-round locking of the casement is possible.



A = diameter of different locking bolts

Description	Version	ID No.
Lock carrier for OL 320 Aluminium windows	A = 8,5 mm	024954
	A = 11,5 mm	029717

Description	Version	ID No.
Lock carrier for OL 320 Wood and plastic windows	A = 8,5 mm	029855
	A = 11,5 mm	029856
	A = 15,5 mm	030295

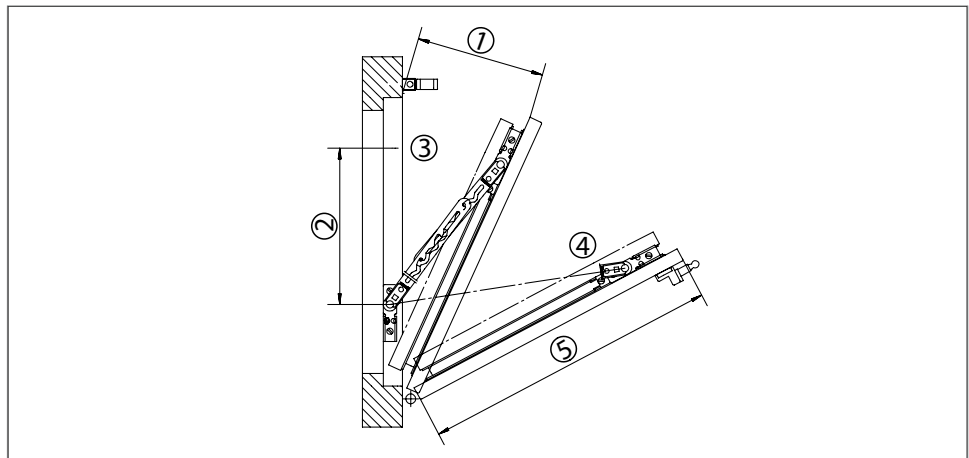
Description	ID No.
Lock carrier for OL 320 Light alloy windows	028905

GEZE SLIMLINE FANLIGHT OPENERS

GEZE gripping and cleaning scissor stay (FPS)

For bottom-hung casements, safeguards must be provided in addition to the fanlight opener, which limit the tilting movement of the casement (grip position), so that the casements do not become a source of danger. GEZE FPS is the «intelligent» gripping and cleaning scissor stay for vertically installed bottom-hung rectangular windows. Up to the cleaning position, the arresting bolts slide along guide shafts in a telescopic rod. This merely requires the left-hand rod to be raised by hand. If the casement threatens to fall, the arresting bolts are hurled into the opposite arresting hooks by the guide rollers and therefore stop the fall. Two FPS gripping and cleaning scissor stays and two accessory mounting plates are necessary for wooden/plastic and light alloy windows.

GEZE gripping and cleaning scissor stay (FPS)



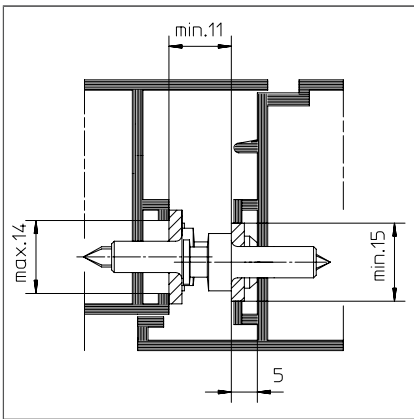
- 1 = restricted opening width
- 2 = length when closed
- 3 = gripping position
- 4 = cleaning position
- 5 = casement height

Area of application

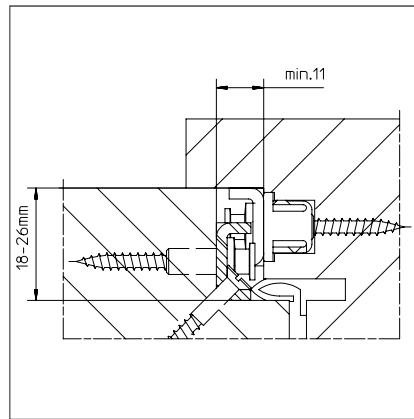
- For OL 90 N, OL 95 and OL 320
- For vertically installed bottom-hung casements
- For rectangular windows
- Rebate width min. 11 mm
- Rebate depth min. 18 mm

GEZE SLIMLINE FANLIGHT OPENERS

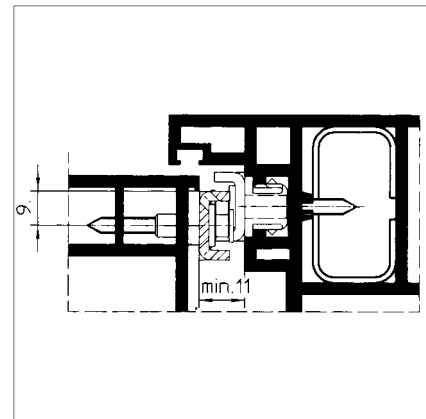
Gripping and cleaning scissor stay (FPS) - installation drawings



FPS on light alloy window (installation without washers)



FPS on wooden window



FPS on plastic window

Order information

Description	Version	ID No.
GEZE gripping and cleaning scissor stay (FPS) FPS 340 Size 1	galvanised	030249
GEZE gripping and cleaning scissor stay (FPS) FPS 520 Size 2	galvanised	030250
GEZE gripping and cleaning scissor stay (FPS) FPS 720 Size 3	galvanised	030251
Installation materials		
Mounting plates for gripping and cleaning scissor stay For light alloy windows (fixings for casement and frame)		030252
Mounting plates for gripping and cleaning scissor stay For plastic windows (fixings for casement with Euro-groove and frame)		030253
Mounting plates for gripping and cleaning scissor stay For wooden and plastic windows (fixings for casement with Euro-groove and frame)		070182
Frame washers for gripping and cleaning scissor stay For plastic windows	3 mm	029334
	5 mm	029335
Frame washers for gripping and cleaning scissor stay For plastic windows with inclined rebate		030383
Casement shim for gripping and cleaning scissor stay	4 mm	009324
	5 mm	009325
	7 mm	013305
	8 mm	025635
	9 mm	009321
Frame washers for gripping and cleaning scissor stay For light alloy windows	3 mm	009326
	5 mm	009328
Rebate templates for gripping and cleaning scissor stay (FPS)		024741

GEZE SLIMLINE FANLIGHT OPENERS

GEZE OL 90 N and OL 95 - photographic overview

GEZE lockable hand lever



GEZE swivel-mounted hand lever



GEZE corner transmission



GEZE hand lever with flexible corner transmission



GEZE sliding casement bracket



GEZE scissor stay with unhinging inhibitor



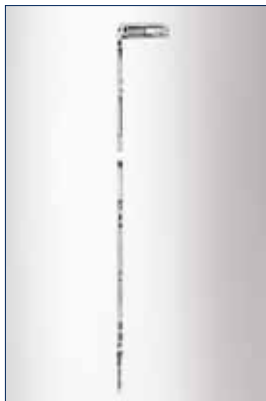
GEZE lockable scissor stay



GEZE corner operating gear Fz 90, left



GEZE vertical gear Fz 91 with corner transmission



GEZE gear Fz 92



GEZE OL 90 N
/OL 95/OL 320

Manual Fanlight
Opener Systems

GEZE SLIMLINE FANLIGHT OPENERS

References



Alfter Art College, Alfter near Bonn, Germany



Augustinum, Stuttgart, Germany



Fondation Ecksberg, Mühl Dorf, Germany

References

GEZE OL 90 N
/OL 95/OL320

Manual Fanlight
Opener Systems



Hotel Amano, Berlin, Germany

References



Anno Domini Building, Hangzhou, China






Anno Domini Building, Hangzhou, China

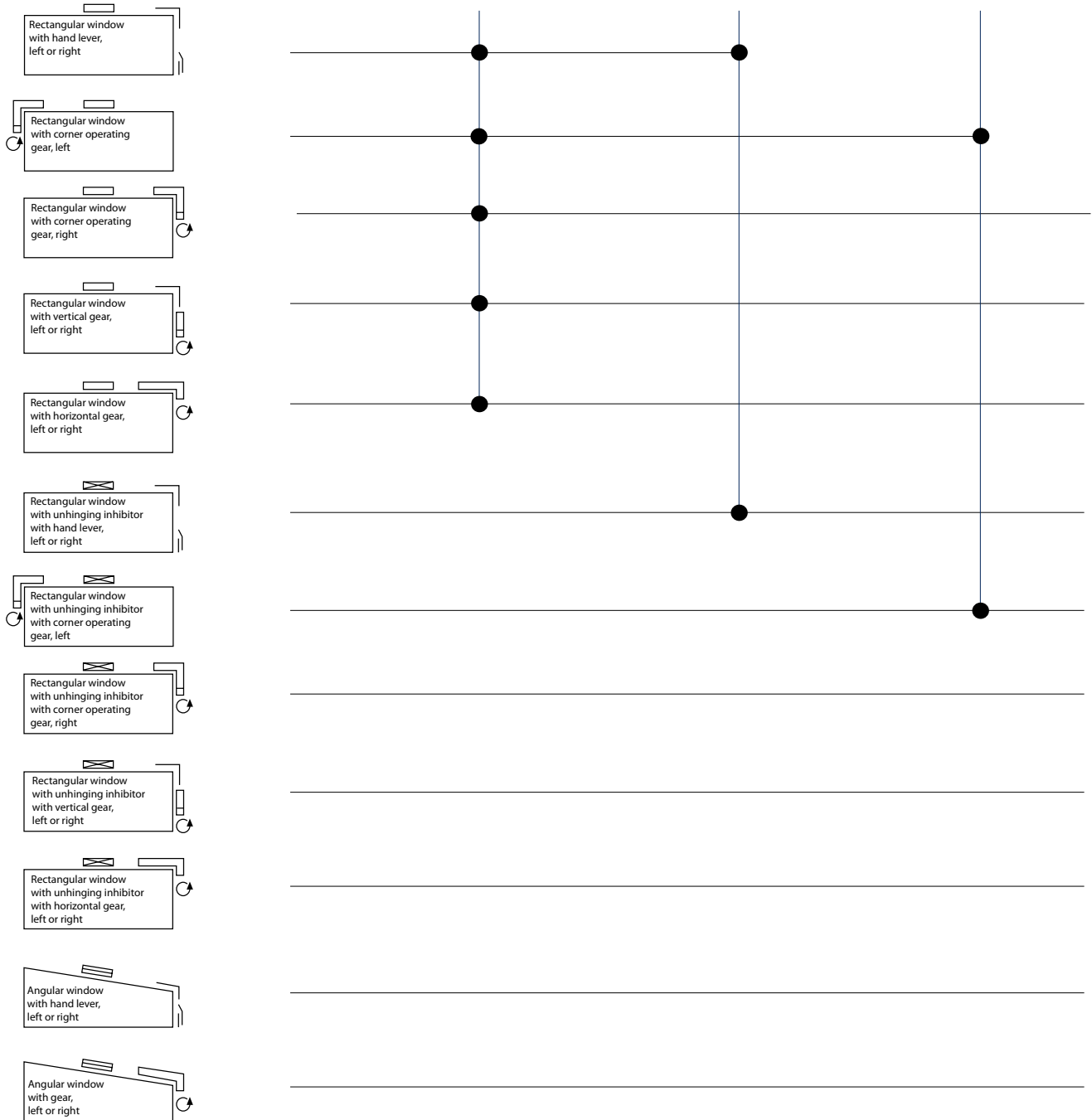
GEZE SLIMLINE FANLIGHT OPENERS

Packaging unit applications: GEZE OL 90 N



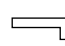

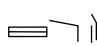

GEZE OL 90 N
/OL 95/OL320

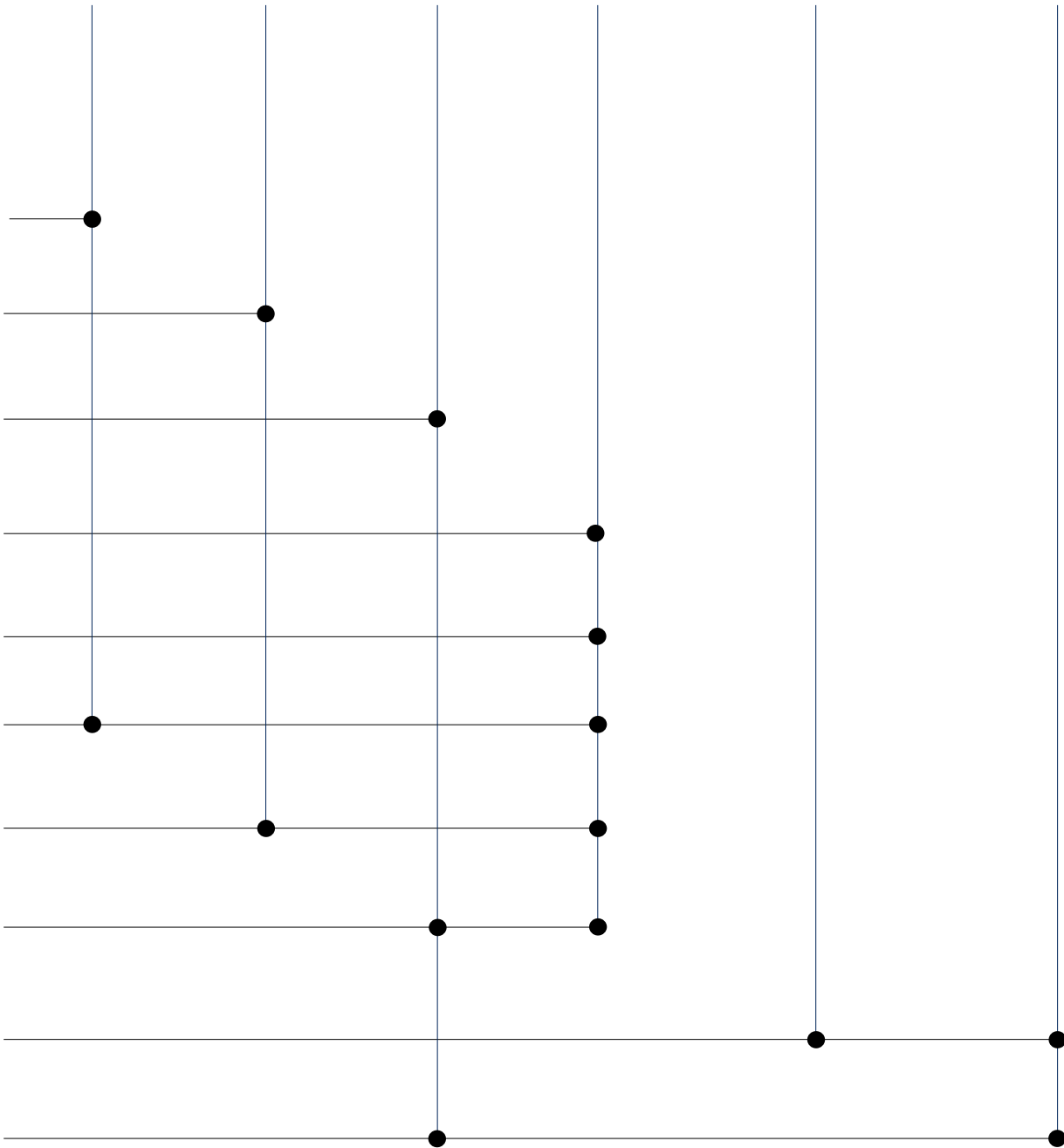
Manual Fanlight
Opener Systems

Applications	Packing units					
	ID. No.		ID. No.		ID. No.	
	Scissor		Hand lever with corner transmission		Corner operating gear Fz 90, left	
	silver	030373	silver	030611	silver	030809
	white RAL 9016	030377	white RAL 9016	030615	white RAL 9016	030810
						



GEZE SLIMLINE FANLIGHT OPENERS

Packing units											
ID. No.		ID. No.		ID. No.		ID. No.		ID. No.		ID. No.	
Corner operating gear Fz 90, right		Vertical gear Fz 91 with corner transmission		Gear Fz 92		Scissor stay with unhinging inhibitor		Hand lever with flexible corner transmission		Scissor stay with sliding casement bracket	
galvanised	030811	galvanised	030817	silver/white	030778	silver	030498	silver	076911	silver	Scissor stay and corresponding casement bracket
black	030812	black	030818			white RAL 9016	030502	white RAL 9016	076915	white RAL 9016	
											



GEZE OL 90 N
/OL 95/OL320

Manual Fanlight
Opener Systems

You will find more product information in the relevant brochures, see ID numbers.

Door technology

01	Overhead door closers ID 091593, ID 091594
02	Hold-open systems ID 091593, ID 091594
03	Integrated door closers ID 091609
04	Floor springs ID 091607
05	Sliding door gear systems and linear guides ID 123605, ID 008770, ID 000586

Automatic door systems

06	Swing doors ID 144785
07	Sliding, telescopic and folding doors ID 143639
08	Circular and semi-circular sliding doors ID 135772
09	Revolving doors ID 132050
10	Actuation devices and sensors ID 142655

Smoke and heat extraction and window technology

11	Fanlight opening systems ID 127787
12	Electric opening and locking systems ID 127785, ID 127789
13	Electrical spindle and linear drives ID 127785, ID 127789
14	Electric chain drives ID 127785, ID 127789
15	Smoke and heat extraction systems ID 127785, ID 139075

Safety technology

16	Emergency exit systems ID 132408
17	Access control systems ID 132158
18	Panic locks ID 132848
19	Electric strikes ID 148666
20	Building management system ID 132408

Glass systems

21	Manual sliding wall systems (MSW) ID 104377
22	Integrated all-glass systems (IGG) ID 104366
23	GEZE Patch fittings mono glass systems ID 122521



POTENTIAL APPLICATIONS OF GEZE PRODUCTS



Door technology

The functionality, superior performance and reliability of GEZE door closers are impressive. A common design across the range, the ability to use them on all common door leaf widths and weights, and the fact that they can be individually adjusted makes their selection simple. They are continually being improved and enhanced with up-to-date features. For example, the requirements of fire protection and accessibility are fulfilled with a door closer system.

Automatic door systems

GEZE automatic door systems open up a huge variety of options in door design. The latest, innovative high-performance drive technology, safety, ease of accessibility and first class universal drive design set them apart. GEZE offers complete solutions for individual requirements. A dedicated division is responsible for the development and construction of individual special designs.

Smoke and heat extraction and window technology

GEZE smoke and heat extraction systems and ventilation technology provide complete systems solutions combining the many requirements of different types of windows. We supply a full range from energy efficient drive systems to natural ventilation and complete solutions for supplying and extracting air, also as certified SHEVs.

Safety technology

GEZE safety technology sets the standards where preventative fire protection, access control and anti-theft security in emergency exits are concerned. For each of these objectives GEZE offers tailored solutions, which combine the individual safety requirements in one intelligent system and close doors and windows in case of danger in a coordinated manner.

Building systems

In GEZE's Building Management System GEZE door, window and safety products can be integrated in to the security and control systems of the building. A central control and visualisation system monitors various automation components in the building and offers security through many different networking capabilities.

Glass systems

GEZE glass systems stand for open and transparent interior design. They can either blend discreetly into the architecture of the building or stand out as an accentuated feature. GEZE offers a wide variety of technologies for functional, reliable and aesthetic sliding wall or sliding door systems providing security with lots of design scope.

GEZE GmbH
P.O. Box 1363
71226 Leonberg
Germany

GEZE GmbH
Reinhold-Vöster-Straße 21-29
71229 Leonberg
Germany
Telefon +49 (0) 7152-203-0
Telefax +49 (0) 7152-203-310

www.geze.com

Germany
 GEZE Sonderkonstruktionen GmbH
 Planken 1
 97944 Boxberg-Schweigern
 Tel. +49 (0) 7930-92 94-0
 Fax +49 (0) 7930-92 94-10
 E-Mail: sk.de@geze.com

GEZE GmbH
 Niederlassung Nord/Ost
 Bühringstraße 8
 13086 Berlin (Weissensee)
 Tel. +49 (0) 30-47 89 90-0
 Fax +49 (0) 30-47 89 90-17
 E-Mail: berlin.de@geze.com

GEZE GmbH
 Niederlassung West
 Nordsternstraße 65
 45329 Essen
 Tel. +49 (0) 201-83 082-0
 Fax +49 (0) 201-83 082-20
 E-Mail: essen.de@geze.com

GEZE GmbH
 Niederlassung Mitte
 Adenauerallee 2
 61440 Oberursel (b. Frankfurt)
 Tel. +49 (0) 6171-63 610-0
 Fax +49 (0) 6171-63 610-1
 E-Mail: frankfurt.de@geze.com

GEZE GmbH
 Niederlassung Süd
 Breitwiesenstraße 8
 71229 Leonberg
 Tel. +49 (0) 7152-203-594
 Fax +49 (0) 7152-203-438
 E-Mail: leonberg.de@geze.com

GEZE Service GmbH NL Südwest
 Reinhold-Vöster-Straße 25
 71229 Leonberg
 Tel. +49 (0) 7152-92 33 34

GEZE Service GmbH NL Nord-Ost
 Bühringstraße 8
 13086 Berlin (Weissensee)
 Tel. +49 (0) 30-47 02 17 32

GEZE Service GmbH NL West
 Nordsternstraße 65
 45329 Essen
 Tel. +49 (0) 201-8 30 82 16

GEZE Service GmbH NL Mitte
 Feldbergstraße 59
 61440 Oberursel
 Tel. +49 (0) 6171-63 327-0

GEZE Service GmbH NL Süd
 Parking 17
 85748 Garching bei München 1
 Tel. +49 (0) 89-120 07 42-0

Austria
 GEZE Austria
 Wiener Bundesstrasse 85
 A-5300 Hallwang
 Tel. +43/6225/87180
 Fax: +43/6225/87180-299
 E-Mail: austria.at@geze.com

Baltic States
 GEZE GmbH Baltic States office
 Dzelzavas iela 120 S
 1021 Riga
 Tel. +371 (0) 67 89 60 35
 Fax +371 (0) 67 89 60 36
 E-Mail: office-latvia@geze.com

GEZE Benelux B.V.
 Steenoven 36
 5626 DK Eindhoven
 Tel. +31 (0) 40-26 290-80
 Fax +31 (0) 40-26 290-85
 E-Mail: benelux.nl@geze.com

Bulgaria
 GEZE Bulgaria - Trade
 Representative Office
 61 Pirinski Prohod, entrance „B“,
 4th floor, office 5,
 1680 Sofia
 Tel. +359 (0) 24 70 43 73
 Fax +359 (0) 24 70 62 62
 E-Mail: office-bulgaria@geze.com

China
 GEZE Industries (Tianjin) Co., Ltd.
 Shuangchenzhong Road
 Beichen Economic Development
 Area (BEDA)
 Tianjin 300400, P.R. China
 Tel. +86 (0) 22-26 97 39 95-0
 Fax +86 (0) 22-26 97 27 02
 E-Mail: Sales-info@geze.com.cn

GEZE Industries (Tianjin) Co., Ltd.
 Branch Office Shanghai
 Unit 25N, Cross Region Plaza
 No 899, Ling Ling Road,
 XuHui District
 200030 Shanghai, P.R. China
 Tel. +86 (0) 21-523 40 960
 Fax +86 (0) 21-644 72 007
 E-Mail: chinasales@geze.com.cn

GEZE Industries (Tianjin) Co., Ltd.
 Branch Office Guangzhou
 Room 17C3
 Everbright Bank Building, No.689
 Tian He Bei Road
 510630 Guangzhou
 P.R. China
 Tel. +86 (0) 20-38 73 18 42
 Fax +86 (0) 20-38 73 18 34
 E-Mail: chinasales@geze.com.cn

GEZE Industries (Tianjin) Co., Ltd
 Branch Office Beijing
 Room 1001, Tower D
 Sanlitun SOHO
 No. 8, Gongti North Road,
 Chaoyang District
 100027 Beijing, P.R.China
 Tel. +86 (0) 10-59 35 93 00
 Fax +86 (0) 10-59 35 93 22
 E-Mail: chinasales@geze.com.cn

France
 GEZE France S.A.R.L.
 ZAC de l'Orme Rond
 RN 19
 77170 Servon
 Tel. +33 (0) 1 60 62 60 70
 Fax +33 (0) 1 60 62 60 71
 E-Mail: france.fr@geze.com

Hungary
 GEZE Hungary Kft.
 Bartók Béla út 105-113.
 Budapest
 H-1115
 Tel. +36 (1) 481 4670
 Fax +36 (1) 481 4671
 E-Mail: office-hungary@geze.com

Iberia
 GEZE Iberia S.R.L.
 Pol. Ind. El Pla
 C/Comerc, 2-22, Nave 12
 08980 Sant Feliu de Llobregat
 (Barcelona)
 Tel. +34 9-02 19 40 36
 Fax +34 9-02 19 40 35
 E-Mail: info@geze.es

India
 GEZE India Private Ltd.
 MF 2 & 3, Guindy Industrial Estate
 Ekkattuthangal
 Chennai 600 097
 Tamilnadu
 Tel. +91 (0) 44 30 61 69 00
 Fax +91 (0) 44 30 61 69 01
 E-Mail: office-india@geze.com

Italy
 GEZE Italia Srl
 Via Giotto, 4
 20040 Cambiago (MI)
 Tel. +39 (0) 29 50 695-11
 Fax +39 (0) 29 50 695-33
 E-Mail: italia.it@geze.com

GEZE Engineering Roma Srl
 Via Lucrezia Romana, 91
 00178 Roma
 Tel. +39 (0) 6-72 65 311
 Fax +39 (0) 6-72 65 3136
 E-Mail: roma@geze.biz

Poland
 GEZE Polska Sp.z o.o.
 ul. Annapol 21
 03-236 Warszawa
 Tel. +48 (0) 22 440 4 440
 Fax +48 (0) 22 440 4 400
 E-Mail: geze.pl@geze.com

Romania
 GEZE Romania s.r.l.
 IRIDE Business Park,
 Str. Dimitrie Pompeiu nr. 9-9a,
 Building 10, Level 2, Sector 2,
 020335 Bucharest
 Tel.: +40 (0) 21 25 07 750
 Fax: +40 (0) 21 25 07 750
 E-Mail: office-romania@geze.com

Russian Federation
 GEZE GmbH Representative
 Office Russia
 Gamsonovskiy Per. 2
 115191 Moskau
 Tel. +7 (0) 495 933 06 59
 Fax +7 (0) 495 933 06 74
 E-Mail: office-russia@geze.com

Scandinavia – Sweden
 GEZE Scandinavia AB
 Mallslingan 10
 Box 7060
 18711 Täby, Sweden
 Tel. +46 (0) 8-7323-400
 Fax +46 (0) 8-7323-499
 E-Mail: sverige.se@geze.com

Scandinavia – Norway
 GEZE Scandinavia AB avd. Norge
 Industriveien 34 B
 2073 Dal
 Tel. +47 (0) 639-57 200
 Fax +47 (0) 639-57 173
 E-Mail: norge.se@geze.com

Scandinavia – Finland
 Branch office of GEZE Scandinavia AB
 Herralantie 824
 Postbox 20
 15871 Hollola
 Tel. +358 (0) 10-40 05 100
 Fax +358 (0) 10-40 05 120
 E-Mail: finland.se@geze.com

Scandinavia – Denmark
 GEZE Danmark
 Branch office of GEZE Scandinavia AB
 Märkærvej 13 J-K
 2630 Taastrup
 Tel. +45 (0) 46-32 33 24
 Fax +45 (0) 46-32 33 26
 E-Mail: danmark.se@geze.com

Singapore
 GEZE (Asia Pacific) Pte. Ltd.
 21 Bukit Batok Crescent
 #23-75 Wcega Tower
 Singapore 658065
 Tel: +65 6846 1338
 Fax: +65 6846 9353
 E-Mail: gezesea@geze.com.sg

South Africa
 GEZE Distributors (Pty) Ltd.
 118 Richards Drive, Halfway House,
 Ext 111, P.O. Box 7934, Midrand 1685,
 South Africa
 Tel: + 27 (0) 113 158 286
 Fax: + 27 (0) 113158261
 Email: info@gezesa.co.za

Switzerland
 GEZE Schweiz AG
 Bodenackerstrasse 79
 4657 Dulliken
 Tel. +41 (0) 62 285 54 00
 Fax +41 (0) 62 285 54 01
 E-Mail: schweiz.ch@geze.com

Turkey
 GEZE GmbH Türkiye - İstanbul
 İrtibat Bürosu
 Ataşehir Bulvarı, Ata 2/3
 Plaza Kat: 9 D: 84 Ataşehir
 Kadıköy / İstanbul
 Tel. + 90 (0) 21 64 55 43 15
 Fax + 90 (0) 21 64 55 82 15
 E-Mail: office-turkey@geze.com

Ukraine
 GEZE Ukraine TOV
 ul. Viskoznaya, 17,
 Building 93-B, Office 12
 02660 Kiev
 Tel./Fax +38 (0) 44 501 22 25
 E-Mail: office-ukraine@geze.com

United Arab Emirates/GCC
 GEZE Middle East
 P.O. Box 17903
 Jebel Ali Free Zone
 Dubai
 Tel. +971 (0) 4-88 33 112
 Fax +971 (0) 4-88 33 240
 E-Mail: geze@emirates.net.ae

United Kingdom
 GEZE UK Ltd.
 Blenheim Way
 Fradley Park
 Lichfield
 Staffordshire WS13 8SY
 Tel. +44 (0) 1543 44 30 00
 Fax +44 (0) 1543 44 30 01
 E-Mail: info.uk@geze.com

GEZE REPRESENTATIVE