

# Door Locks & Fittings

**Titon offer a number of sophisticated door lock combinations for timber or PVCu doors, in single or double door versions.**

All feature dead bolts as standard and in addition security is heightened by mushroom, finger and hook bolts.

Many configurations are available, please phone for technical advice on specific application issues.





## Door Locks & Fittings

Maco Door Lock (Single Door)	114
Maco Door Lock (Double Door)	116
Overture LL/LP	118
Overture Door Accessories	120
Overture H	122
Overture Deseo PC	124

# Maco Door Lock (Single Door)

## Multi-point security locking system

**Suitable for use on PVCu, timber or aluminium doors with a 16mm PVCu type eurogroove**

Maco Door Locks are operated by internal and external lever handles. The G-TS door lock has a standard lift lever operation and the W-TS lock has a split spindle operation making it more suitable for some front door applications.

Z-TS operated door lock for front door applications when a fixed

external pad handle is required. 20mm throw top and bottom shootbolt extensions can be fitted on most lock styles and are suitable for both residential and double door applications.

Maco Door Locks are available with compression cams for increased weather performance.

### Features and Benefits

- Available in 92mm handle centres
- 28, 35 & 45mm backset versions available for the G-TS
- 35 & 45mm backset versions available for the Z-TS & W-TS
- Non-handed lock with reversible latch
- Dead bolt as standard
- Range of variants offer various levels of security
- Suitable for door sizes up to 2400mm in height (other sizes available on request)



## Details

### Mushroom bolt

Adjustable security mushroom bolt for enhanced security

### Finger bolt

20mm throw finger bolt for high security applications

### Hook bolt

For the highest possible level of security

### Striker plates

Produced from high quality zinc and steel, adjustable with a 4mm Allen key

### Manufactured from

Produced from high quality zinc and steel

### Recommended screws

No.8 countersunk or equivalent.  
For Tricoat finish ensure Tricoat screws are used

### Standards

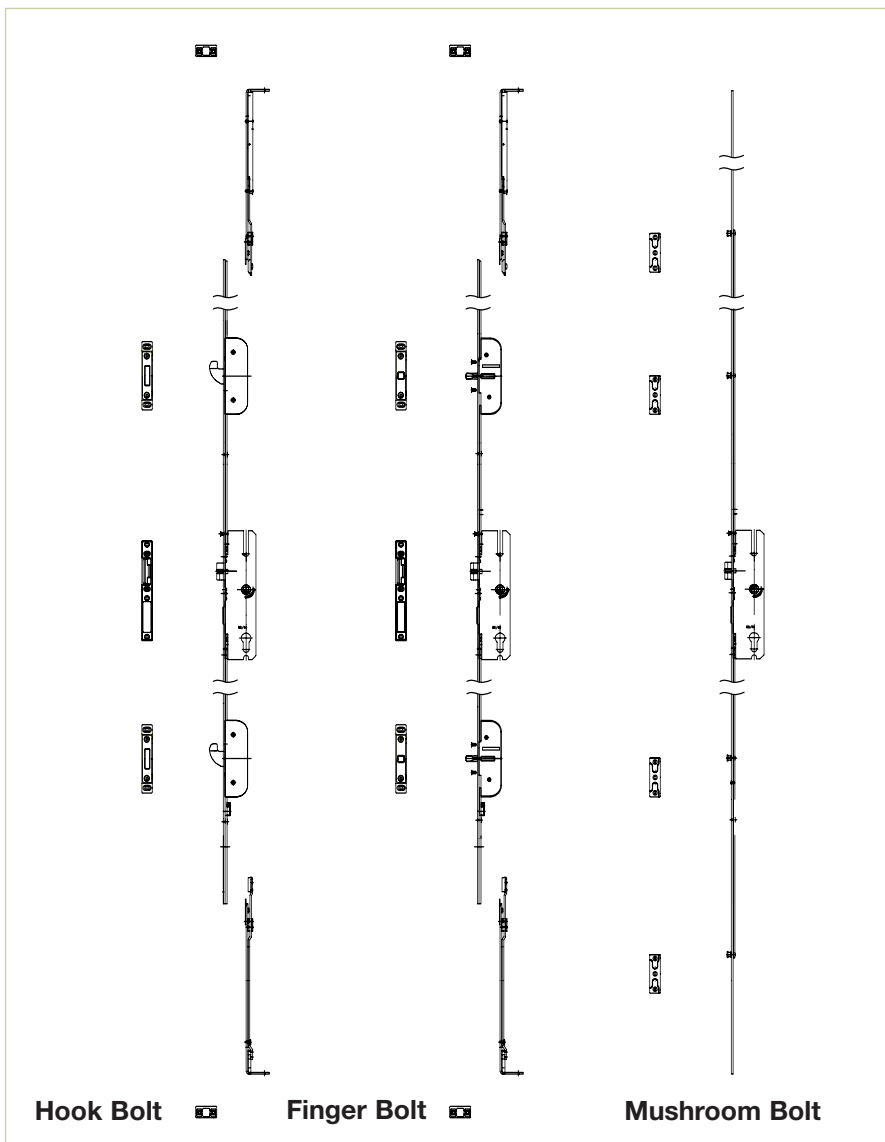
PAS 24 and BS6375 Parts 1 & 2

### Finishes

Silver chromate  
Tricoat (high corrosion resistance) also available

### More information

enquiries@titon.co.uk / 01206 713801



# Maco Door Lock (Double Door)

## Multi-point security locking system

### Suitable for use on PVCu, timber or aluminium doors with a 16mm PVCu type eurogroove

Maco Door Locks are operated by internal and external lever handles. The G-TS door lock has a standard lift lever operation and the W-TS lock has a split spindle operation making it more suitable for some front door applications.

Cylinder operated door lock for front door applications when a fixed external pad handle is required.

20mm throw top and bottom shootbolt extensions can be fitted on most lock styles and are suitable for both residential and double door applications.

Maco Door Locks are available with compression cams for increased weather performance

### Features and Benefits

- Available in 92mm handle centres
- 28, 35 & 45mm backset versions available for the G-TS
- 35 & 45mm backset versions available for the Z-TS & W-TS
- A blank version of the G-TS door lock is also available for double doors
- Non-handed lock with reversible latch
- Dead bolt as standard
- Range of variants offer various levels of security
- Suitable for door sizes up to 2400mm in height (other sizes available on request)



## Details

### Mushroom bolt

Adjustable security mushroom bolt for enhanced security

### Finger bolt

20mm throw finger bolt for high security applications

### Hook bolt

For the highest possible level of security

### Striker plates

Produced from high quality zinc and steel, adjustable with a 4mm Allen key

### Manufactured from

Produced from high quality zinc and steel

### Recommended screws

No.8 countersunk or equivalent.  
For Tricoat finish ensure Tricoat screws are used

### Standards

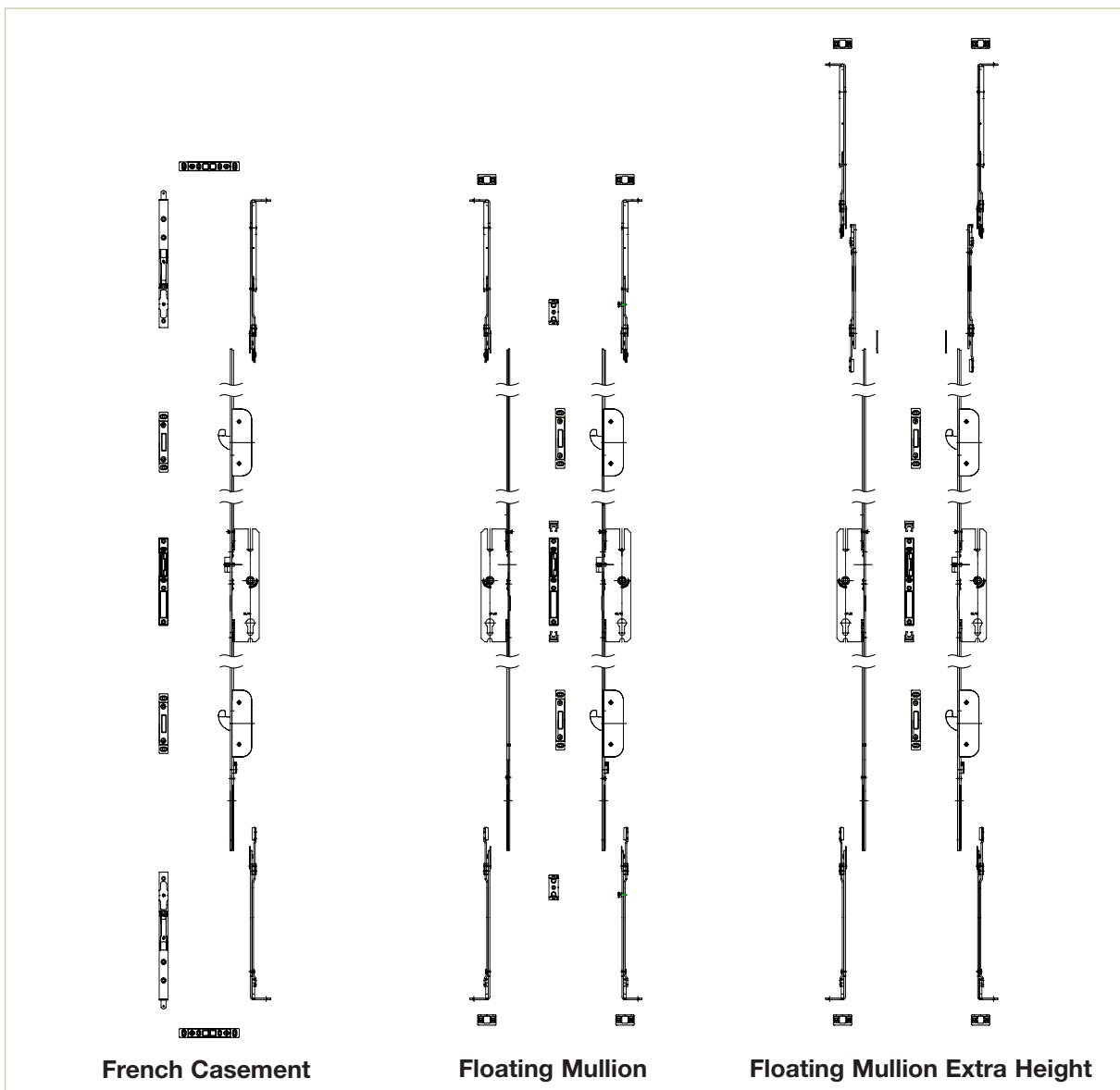
PAS 24 and BS6375 Parts 1 & 2

### Finishes

Silver chromate  
Tricoat (high corrosion resistance) also available

### More information

enquiries@titon.co.uk / 01206 713801



# Overture LL/LP

## Lever door handle range

For use on PVCu, timber or composite doors

A high performance range of door handles, offering contemporary styling, designed to suite with other door and window furniture. Available

in a wide range of finishes and versions, all are manufactured to current British and European Standards.



### Features and Benefits

- Aluminium and zinc tested to over 100,000 cycles and stainless steel tested to over 250,000 cycles (in excess of requirements of BSEN1906)
- Stainless steel range salt spray tested to BSEN1670 2007 - 1000 hours
- 92mm hole centres (62mm option available)
- Handles supplied sprung or unsprung
- Range of finishes available
- Range conforms to British and European Standards
- PAS 24 versions available in the stainless steel range
- Differing inner and outer variations available
- Compatible with Maco door locks



## Details

Product	Product Code	Material	Handle grip dimensions (mm)		Backplate dimensions (mm)		
			A	B	Aluminium and Zinc handles	Standard stainless steel handles	PAS 24 stainless steel handles (external only)
<b>Draycott / Draycott</b>	Phone for details	Aluminium	135	30	240 x 27 x 10	-	-
<b>Draycott / Tanglin</b>	Phone for details	Aluminium	135	30	240 x 27 x 10	-	-
<b>Orchard / Orchard</b>	Phone for details	Zinc	135	30	240 x 27 x 10	-	-
<b>Orchard / Penang</b>	Phone for details	Zinc	135	30	240 x 27 x 10	-	-
<b>Toledo / Toledo</b>	Phone for details	Stainless steel	135	30	-	242 x 28 x 12.5	242 x 34 x 15
<b>Toledo / Segovia</b>	Phone for details	Stainless steel	135	30	-	242 x 28 x 12.5	242 x 34 x 15
<b>Matado / Matado</b>	Phone for details	Stainless steel	135	30	-	242 x 28 x 12.5	242 x 34 x 15
<b>Matado / Segovia</b>	Phone for details	Stainless steel	135	30	-	242 x 28 x 12.5	242 x 34 x 15

Please visit [www.titon.co.uk](http://www.titon.co.uk) to obtain the relevant product code(s). Alternatively call 01206 713801 to discuss your requirements.

### Manufactured from

Die cast aluminium  
Die cast zinc  
Stainless steel

### Recommended screws

Aluminium and zinc handles - 2 x M4 70mm machine screws and 8mm x 100mm square spindle (supplied)

Stainless steel handles - 2 x M4 70mm and 2 x M4 80mm machine screws and 8mm x 130mm square spindle (supplied)

Stainless steel PAS24 handles - 2 x M5 70mm and 2 x M5 80mm machine screws and 8mm x 130mm square spindle (supplied)

### Standards

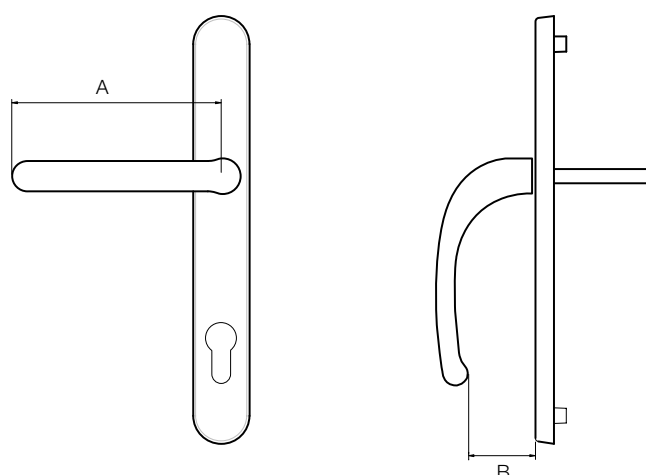
BSEN1670  
BSEN1906

### Finishes

White  
PVD gold  
Polished chrome  
Black  
PVD polished gold on stainless steel  
Polished stainless steel  
PVD satin gold on stainless steel  
Satin stainless steel  
Please check for availability on product variants

### More information

[enquiries@titon.co.uk](mailto:enquiries@titon.co.uk) / 01206 713801





# Overture Door Accessories

## Door fittings

### For use on PVCu, timber or composite doors

Titon offer a range of door accessories to compliment their range of Overture LL door levers, profile cylinders and hinges. Aesthetically important components are available in the same finishes as the other products in the range, including the Overture window handles. The full Titon range also

incorporates door locks in various configurations. Amongst the accessories are door knockers, with spy hole option if required, letter plates, door chains and numerals. All are manufactured to the highest standards. Please phone for the latest availability.



### Features and Benefits

- **Fully suited stainless steel accessories include:**
  - **Door Knockers**
  - **Spy Holes/Door Viewers**
  - **Letter Plates with inner**
  - **Weather/Drip Bars**
  - **Security Chains (with child restrictor)**
- **Stainless steel range salt spray tested to BSEN1670 2007 - 1000 hours**
- **Tested to over 250,000 cycles**
- **Range of finishes available**

## Details

Product	Product Code
Door Knocker - standard	Phone for details
Door Knocker - spy hole ready	Phone for details
Letter Plate with plastic inner	Phone for details
Numerals (85mm) 0-9	Phone for details
Spy Hole/Door Viewer	Phone for details
Weather/Drip Bar	Phone for details
Security Chain (with child restrictor)	Phone for details
All come supplied with fixing screws	
Please visit <a href="http://www.titon.co.uk">www.titon.co.uk</a> to obtain the relevant product code(s). Alternatively call 01206 713801 to discuss your requirements.	

## Manufactured from

Predominantly stainless steel

## Finishes

Please check for availability on product variants

## More information

[enquiries@titon.co.uk](mailto:enquiries@titon.co.uk) / 01206 713801



# Overture H Hinges

## For use on PVCu or timber doors

A high performance range of door hinges, including different designs for PVCu, timber and composite doors. They are available in the same choice

of finishes as the other products in the Overture range. All are manufactured to the highest standards. Please phone for the latest availability.



PVCu Hinge (2D)



Flag Hinge (3D)



Butt Hinge (Timber)



Butt Hinge (Composite)

## Features and Benefits

### PVCu Hinge (2D):

- Adjustable side fit hinge
- Various chamfers available
- Salt test to 240 hour
- 50,000 cycles
- Three hinges 100kg
- Lateral adjustment 2mm
- Height adjustment 3mm

### Flag Hinge (3D):

- Lateral adjustment
- Height adjustment
- Compression adjustment
- Three hinges 150kg
- Self lubricating
- Salt spray test 96 hours

### Butt Hinge (Timber):

- Security pinned caps
- Fire tested BS EN 1634-1 FD60
- BS EN 1935 performance test
- Three hinges 120kg
- Radius corner available - R

### Butt Hinge (Composite):

- Three hinges 80kg
- Salt spray test 96 hours
- Face or trim fit
- 50,000 cycles

## Details

Product	Product Code
Overture H PVCu Hinge	Phone for details
Overture H Flag Hinge	Phone for details
Overture H Butt Hinge (Timber)	Phone for details
Overture H Butt Hinge (Composite)	Phone for details

Various options available for each model - please phone for details

### Manufactured from

PVCu Hinge - Zinc die cast  
 Flag Hinge - Zinc die cast  
 Butt Hinge (Timber) - Stainless steel  
 Butt Hinge (Composite) - Aluminum

### Recommended screws

Please phone for details

### Standards

Butt Hinge (Timber) fire tested BS EN 1634-1 FD60 and BS EN 1935 performance test

### Finishes

#### PVCu Hinge (2D):

- Gold
- White
- Brown

#### Flag Hinge (3D):

- White
- Brown
- Polished gold

#### Butt Hinge (Timber):

- Polished stainless steel
- Satin stainless steel
- Brass plated stainless steel

#### Butt Hinge (Composite):

- White
- Brown
- Gold
- Silver

### More information

enquiries@titon.co.uk / 01206 713801

# Overture Deseo PC

## Profile cylinders

### For use on PVCu, timber or composite doors

The Overture Deseo PC Anti-Manipulation Cylinder is tested and compliant to the requirements of PAS24:2007 for enhanced security.

The cylinder has third party accreditation under the BSI Kitemark scheme ensuring that ongoing cylinder production continues to meet the highest relevant security requirements.

The cylinder is tested to BSEN1303 to the highest Grade 2 standard on attack.

The Overture Deseo PC Kitemarked 71 series Anti-Manipulation Cylinder is an approved Secure by Design product.

The security features include a high security pin tumbler cylinder mechanism which has worldwide patent protection.



PAS24

### Features and Benefits

- **Overture Deseo PC complies to PAS24 2007 enhanced security for cylinders annex C**
- **Six pin**
- **Includes anti drill and anti plug retraction**
- **Available in sizes from 60mm up to 120mm**
- **Optional two way safety cam function**
- **Supplied with three nickel silver keys and one M5 x 45mm machine fixing screw**
- **Double cylinder, cylinder and turn and half cylinder available**



## Details

Product	Product Code	Finishes
Overture Deseo PC	Phone for details	Satin nickel, satin brass, polished brass, polished chrome.
Other keyed variants available e.g. master keyed and keyed alike		
Please visit <a href="http://www.titon.co.uk">www.titon.co.uk</a> to obtain the relevant product code(s). Alternatively call 01206 713801 to discuss your requirements.		

### Manufactured from

Brass  
Stainless steel anti drill pins

### Recommended screws

M5 x 45mm machine screw supplied

### Standards

BSEN1303

### Finishes

Satin brass  
Satin nickel plate

### More information

[enquiries@titon.co.uk](mailto:enquiries@titon.co.uk) / 01206 713801